

SHOP DRAWINGS FOR: WEDGEWOOD ENTERPRISE CORPORATION REDONDO BEACH, CALIFORNIA

HATCH LEGEND

ALUMINUM	
STEEL	
PLYWOOD	
GYP. BOARD	
BACKER ROD	
CONCRETE / STUCCO	

SYMBOL LEGEND

FLOOR PLAN ELEVATION MARKER		ELEVATION MARK SHEET NUMBER
ELEVATION MARK		ELEVATION MARK
DETAIL NOTE		DETAIL NUMBER SHEET NUMBER
DOOR NUMBER		
MATCH LINE MARKER		FILLED IN AREA SIDE OF DISPLAY
WIND LOAD ANCHOR CLIP		
T-ANCHOR CLIP		#1= ATTACH TO CONCRETE #2= ATTACH TO STEEL #3= ATTACH TO STEEL STUD
REVISION MARK		REVISION NUMBER

ABBREVIATIONS

RO	=	ROUGH OPENING
NFD	=	NET FRAME DIMENSION
TYP	=	TYPICAL
DO	=	DOOR OPENING
DLO	=	DAYLITE OPENING
SP	=	SPANDREL GLASS
T	=	TEMPERED GLASS (WHERE REQUIRED BY CODE)
C	=	CENTER LINE
VIF	=	VERIFY IN FIELD
FF	=	FINISH FLOOR
QTY	=	QUANTITY
TBD	=	TO BE DETERMINED
REQ	=	REQUIRED
GC	=	GENERAL CONTRACTOR

GENERAL NOTES

DRAWN PER PLANS ISSUED FOR ENLARGED NEW SOUTH MAIN ENTRY ELEVATION DATED XX
ALL DIMENSIONS TO BE VERIFIED IN FIELD PRIOR TO FABRICATION/ORDERING

- STRUCTURE MUST BE CAPABLE OF WITHSTANDING LOADS IMPOSED BY GLAZING SYSTEM
- ALL DIMENSIONS SHOWN ARE TO DEMONSTRATE GENERAL COMPLIANCE WITH ARCHITECTURAL DESIGN INTENT. ALL DIMENSIONS SHALL BE FIELD VERIFIED PRIOR TO FABRICATION OR INSTALLATION OF FRAMING AND GLAZING MATERIALS. ALL DIMENSIONS ARE SUBJECT TO SLIGHT MODIFICATIONS TO FIT ROUGH OPENINGS.
- ALL DIMENSIONS AND GLAZING MATERIALS, PARTS & ACCESSORIES TO BE VERIFIED AND CHECKED BY GLAZING CONTRACTOR.

FRAMING

CR LAURENCE HEAVY DUTY FINISH STABILIZED SPIDER FITTINGS WITH LAP STEEL FITTINGS (CRL-SPF-FIN)
HEAVY DUTY ALUMINUM U-CHANNEL AT HEAD, SILL AND JAMB (CRL-17B, 18) MODIFIED
1" THICK STAINLESS STEEL CANTILEVERED FINS

DOORS

3/4" THICK CLEAR 'BP' STYLE GLASS DOORS WITH THE FOLLOWING:

- 4" TAPERED BOTTOM RAILS W/LOCKS - (CRL-DR4TBS34SL)
- KEYED CYLINDERS
- TOP PATCH FITTINGS - (CRL-PT1034BS)
- DORMA BTS80 FLOOR CLOSERS WITH EXTENDED SPINDLES
- 4" x 1/2" ALUMINUM T-HOLD

GLASS TYPE

GL-1 : 3/4" CLEAR TEMPERED

SEALANT

I. _____ (STRUCTURAL - AT ALL ALUMINUM TO ALUMINUM, GLASS TO ALUMINUM, GLASS TO GLASS APPLICATIONS)

FINISH

I. BRUSHED STAINLESS STEEL

SAMPLE DRAWINGS

DESIGN CRITERIA

GLAZING SYSTEM

CRL HEAVY DUTY STAINLESS STEEL SPIDER FITTINGS
CRL HEAVY ALUMINUM U-CHANNEL - 6063 ALUMINUM ALLOY T52 TEMPER

SCREWS & ANCHORS

REFERENCE DETAILS

DESIGN

___ WIND SPEED
___ PSF
EXPOSURE ___
___ MAX. DEFLECTION
IMPORTANCE
CBC 2010

ARCHITECT:

GENERAL CONTRACTOR:

PROJECT:

WEDGEWOOD ENTERPRISE CORPORATION

2015 MANHATTAN BEACH BLVD
REDONDO BEACH, CA 90278

REVISIONS/SUBMISSIONS:



Sott J. Sanders, SE
Anaheim, California, Hawaii, Nevada, Washington
789 Mariposa Ct., Claremont, California 91711
P : 909.625.1906 ; F : 909.634.7860
sjs@claremontse.com

DRAWN BY: (og) ozzie@psds.us



PROJECT:

DRAWING TITLE:

TITLE SHEET

SCALE:

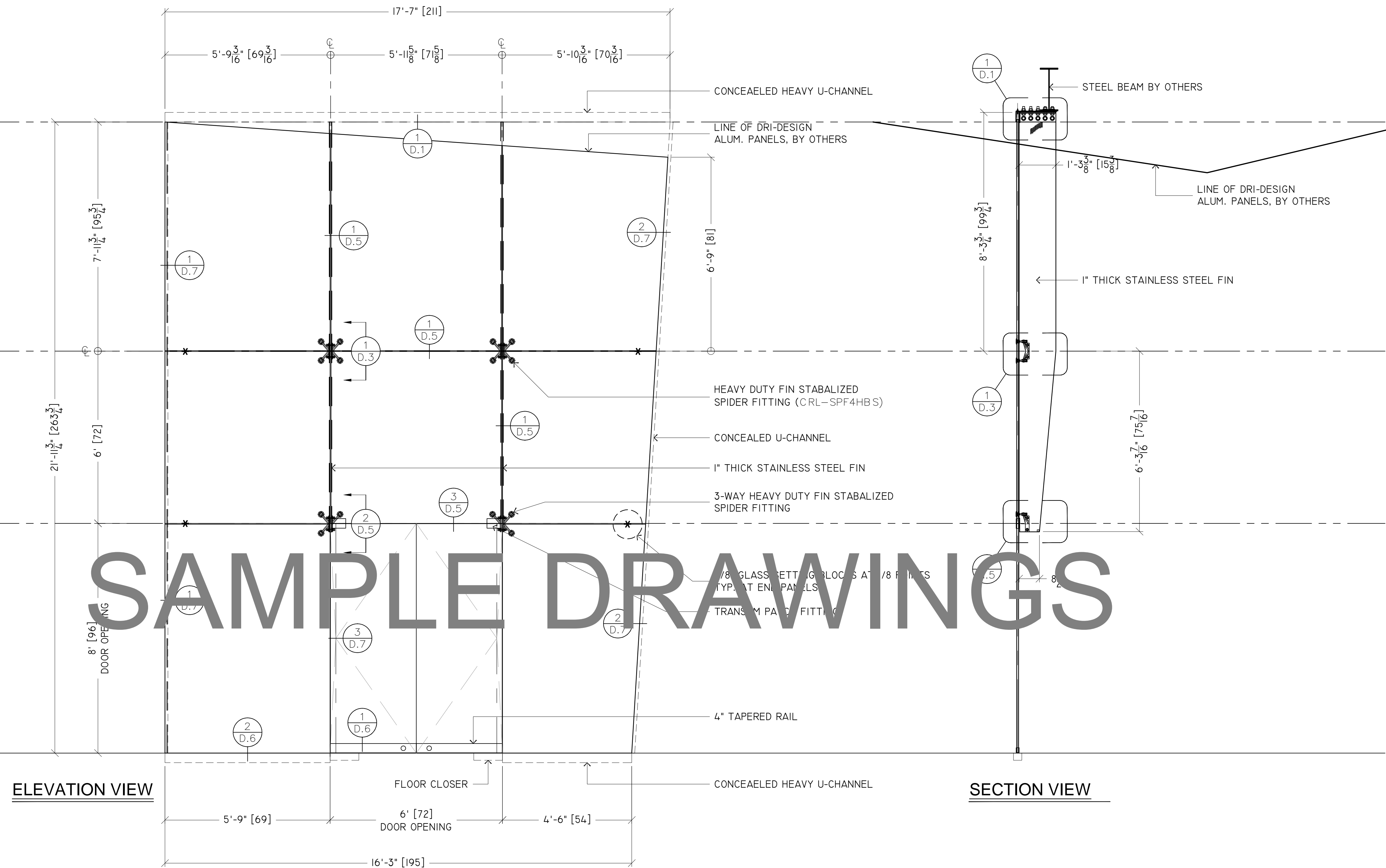
24 x 36 SHEET SIZE

PLOT DATE:

2013.03.23

SHEET NO:

T



SAMPLE DRAWINGS

NOTE:
 ALL DIMENSIONS TO BE VERIFIED BY GLAZING CONTRACTOR.
 COORDINATE WITH G.C AS REQUIRED

ARCHITECT:

GENERAL CONTRACTOR:

PROJECT:

WEDGEWOOD ENTERPRISE CORPORATION

2015 MANHATTAN BEACH BLVD
 REDONDO BEACH, CA 90278

REVISIONS/SUBMISSIONS:

GLAZING S.E.

Sott J. Sanders, SE
 Anaheim, California, Hawaii, Nevada, Washington
 789 Mariposa Ct., Claremont, California 91711
 P : 909.625.1906 ; F : 909.634.7860
 sjs@claremontse.com

DRAWN BY: (og) ozzie@psds.us

PROFESSIONAL SHOPDRAWINGS
 For the Commercial Glazing Industry
 125 E Tahquitz Canyon Way
 Suite 203-M
 Palm Springs, CA 92262
 (951) 377-4114

PROJECT:

DRAWING TITLE:

ELEVATIONS

SCALE:

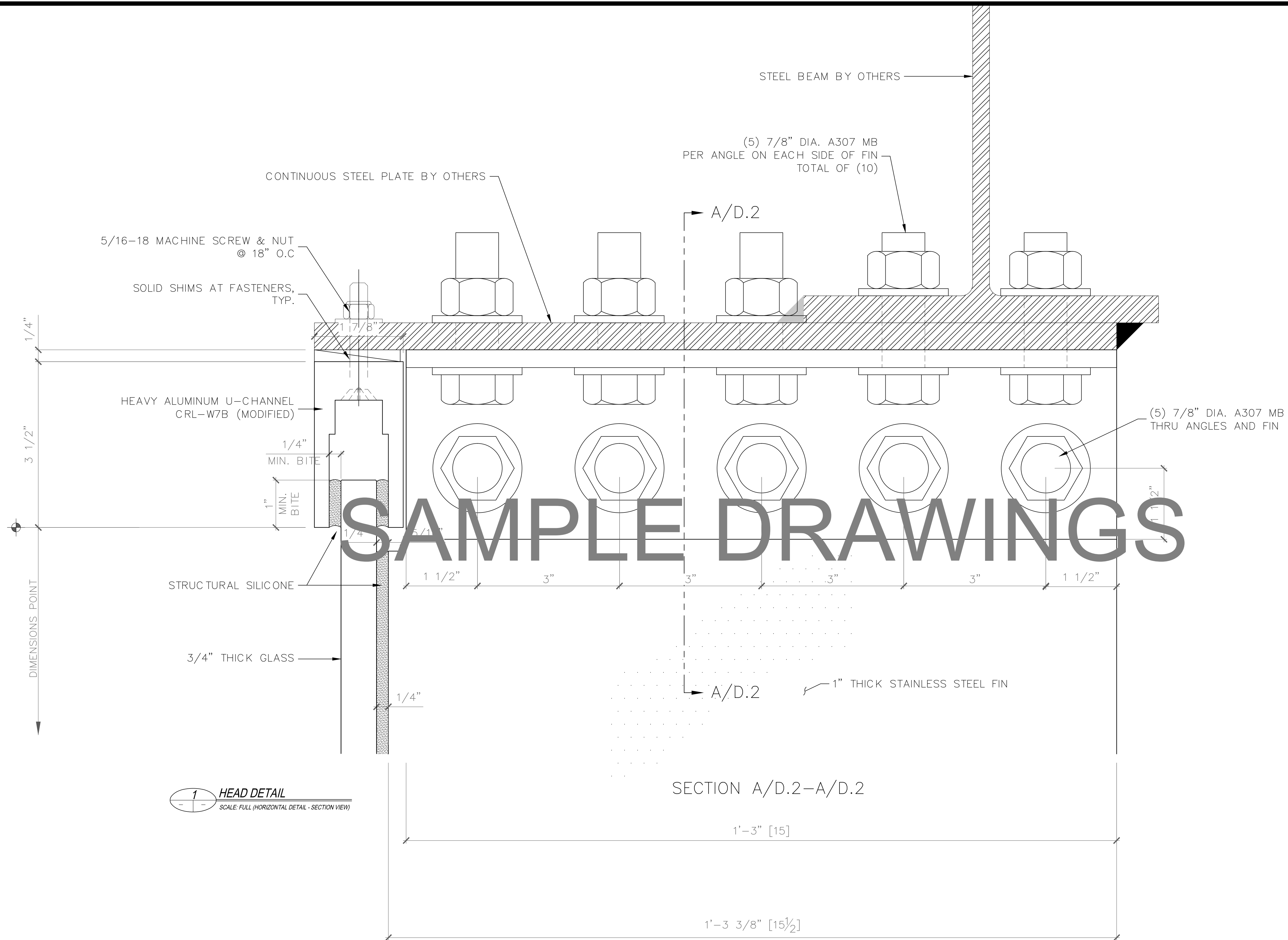
1/2" = 1'-0

PLOT DATE:

2013.03.23

SHEET NO:

E.1



1 HEAD DETAIL
SCALE: FULL (HORIZONTAL DETAIL - SECTION VIEW)

NOTE:
ALL DIMENSIONS TO BE VERIFIED BY GLAZING CONTRACTOR.
COORDINATE WITH G.C AS REQUIRED

ARCHITECT:

GENERAL CONTRACTOR:

PROJECT:
WEDGEWOOD ENTERPRISE CORPORATION
2015 MANHATTAN BEACH BLVD
REDONDO BEACH, CA 90278

REVISIONS/SUBMISSIONS:

GLAZING S.E.
Sott J. Sanders, SE
Anaheim, California, Hawaii, Nevada, Washington
789 Mariposa Ct., Claremont, California 91711
P: 909.625.1906; F: 909.634.7860
sjs@claremontse.com

DRAWN BY: (og) ozzie@psds.us
PROFESSIONAL SHOPDRAWINGS
For the Commercial Glazing Industry
125 E Tahquitz Canyon Way
Suite 203-M
Palm Springs, CA 92262
(951) 377-4114

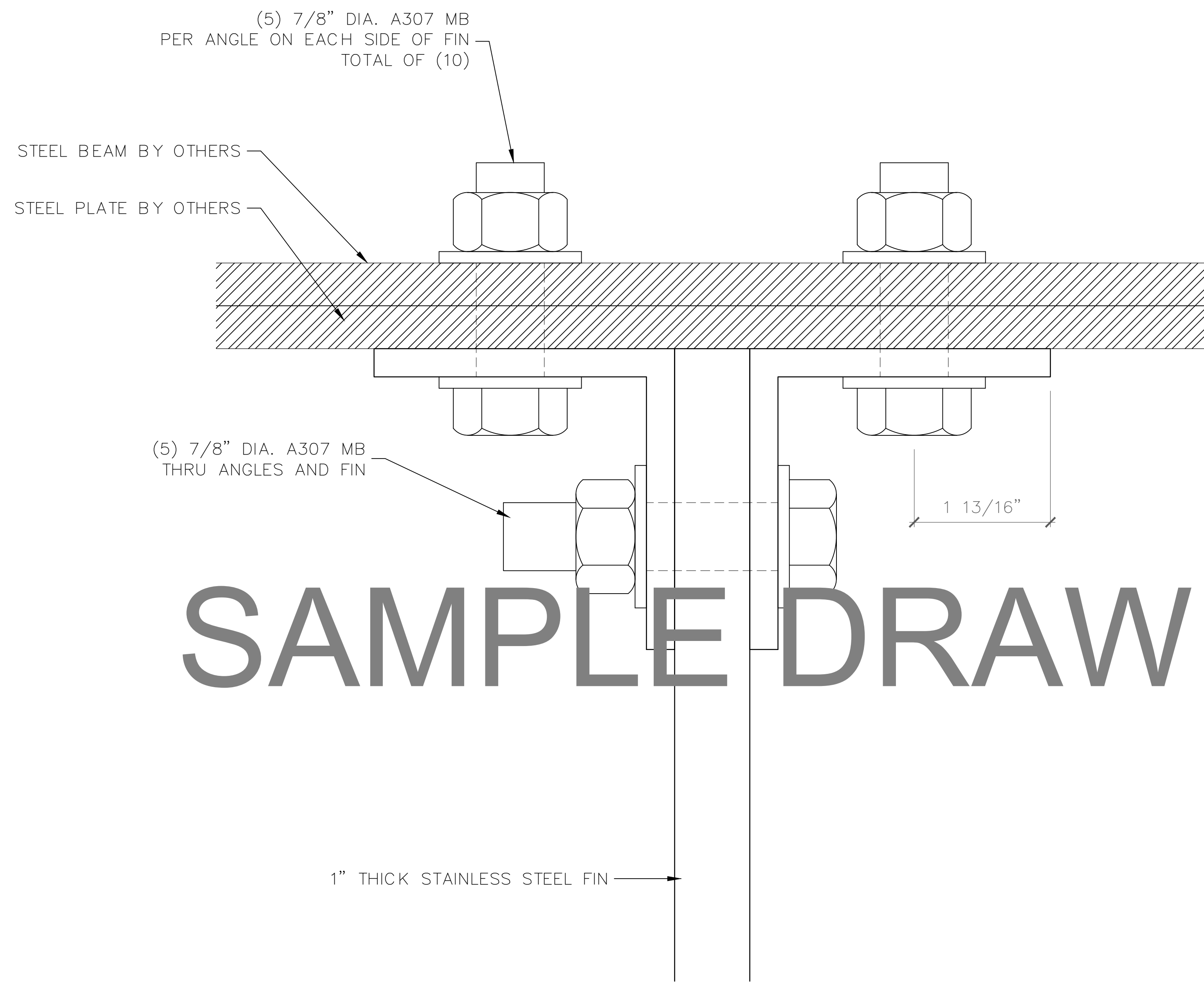
PROJECT:
DRAWING TITLE:

DETAILS

SCALE:
FULL

PLOT DATE:
2013.03.23

SHEET NO:
D.1



SAMPLE DRAWINGS

SECTION A/D.2-A/D.2

NOTE:
 ALL DIMENSIONS TO BE VERIFIED BY GLAZING CONTRACTOR.
 COORDINATE WITH G.C AS REQUIRED

ARCHITECT:

GENERAL CONTRACTOR:

PROJECT:

WEDGEWOOD ENTERPRISE CORPORATION

2015 MANHATTAN BEACH BLVD
 REDONDO BEACH, CA 90278

REVISIONS/SUBMISSIONS:



Sott J. Sanders, SE
 Attorney, California, Hawaii, Nevada, Washington
 789 Mariposa Ct., Claremont, California 91711
 P : 909.625.1906 ; F : 909.634.7860
 sjs@claremontse.com

DRAWN BY: (og) ozzie@psds.us



PROJECT:

DRAWING TITLE:

DETAILS

SCALE:

FULL

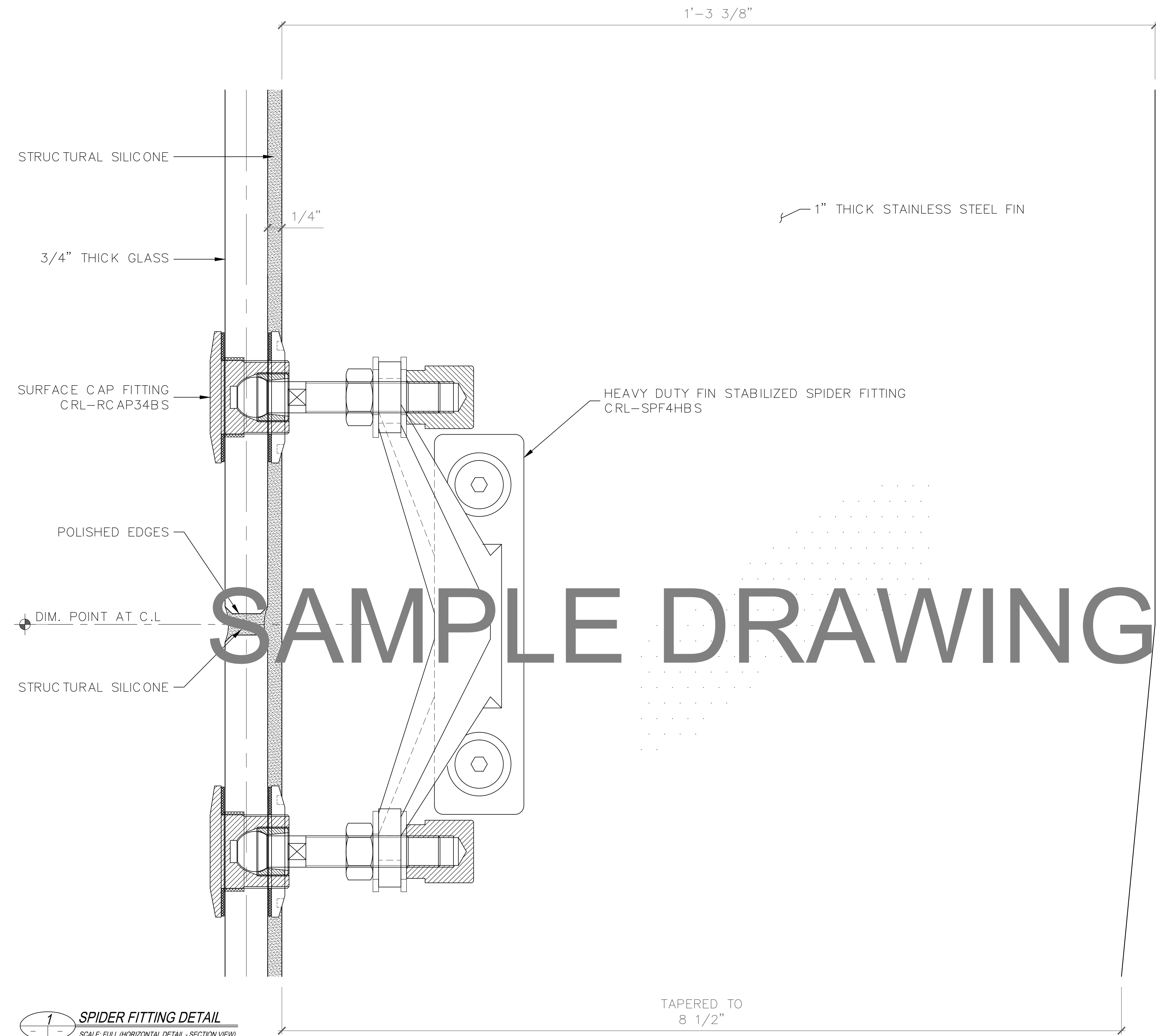
PLOT DATE:

2013.03.23

SHEET NO:

D.2

B
D.4



SPIDER FITTING DETAIL
SCALE: FULL (HORIZONTAL DETAIL - SECTION VIEW)

NOTE:
ALL DIMENSIONS TO BE VERIFIED BY GLAZING CONTRACTOR.

ARCHITECT:

GENERAL CONTRACTOR:

PROJECT:
WEDGEWOOD ENTERPRISE CORPORATION
2015 MANHATTAN BEACH BLVD
REDONDO BEACH, CA 90278

REVISIONS/SUBMISSIONS:

GLAZING S.E.
Sott J. Sanders, SE
Anaheim, California, Hawaii, Nevada, Washington
789 Mariposa Ct., Claremont, California 91711
P : 909.625.1906 ; F : 909.634.7860
sjs@claremontse.com

DRAWN BY: (og) ozzie@psds.us
PROFESSIONAL SHOPDRAWINGS
For the Commercial Glazing Industry
125 E Tahquitz Canyon Way
Suite 203-M
Palm Springs, CA 92262
(951) 377-4114

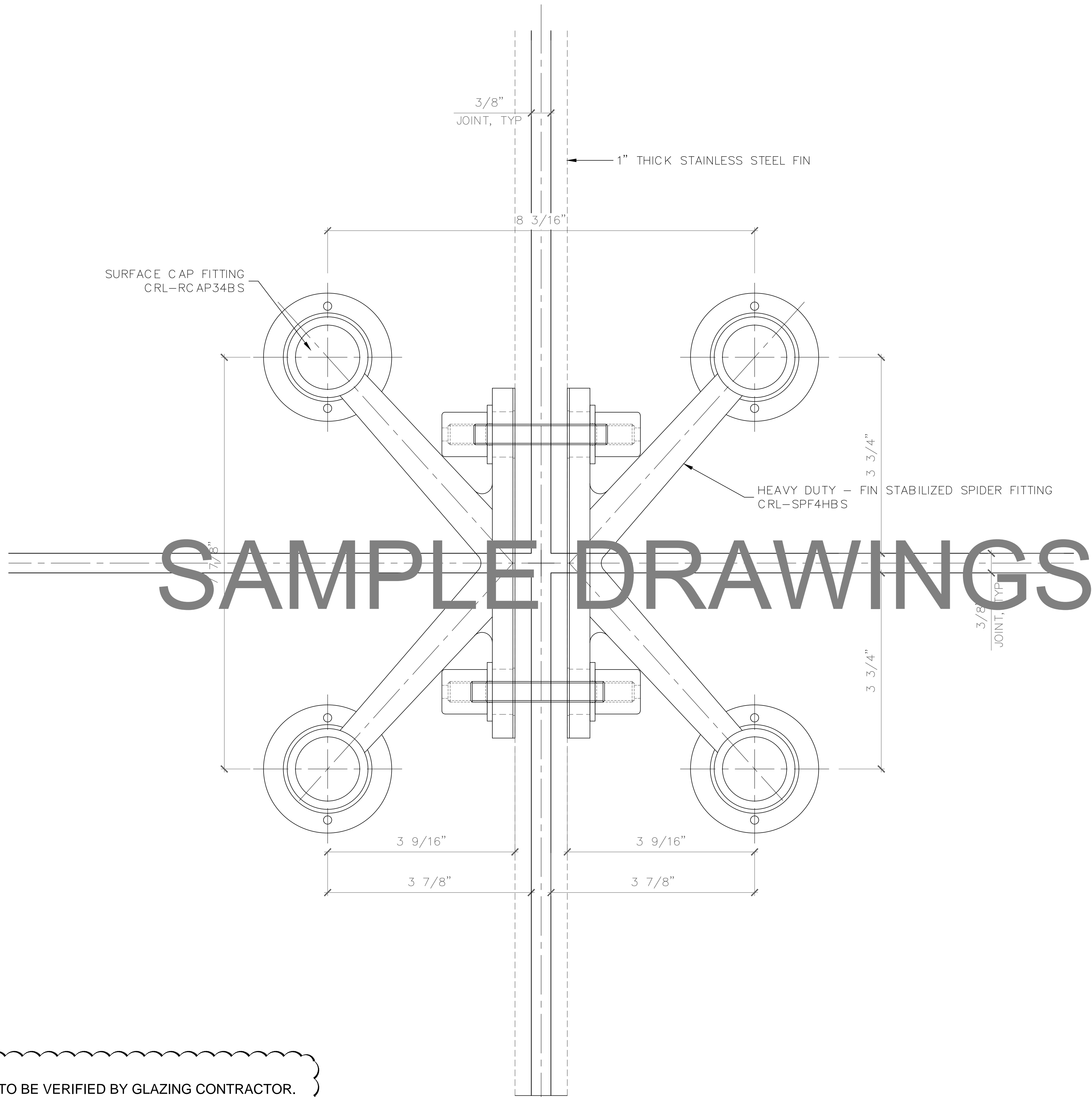
PROJECT:
DRAWING TITLE:

DETAILS

SCALE:
FULL

PLOT DATE:
2013.03.23

SHEET NO:
D.3



SAMPLE DRAWINGS

NOTE:
ALL DIMENSIONS TO BE VERIFIED BY GLAZING CONTRACTOR.

ELEVATION VIEW — DETAIL B

ARCHITECT:

GENERAL CONTRACTOR:

PROJECT:
WEDGEWOOD ENTERPRISE CORPORATION
 2015 MANHATTAN BEACH BLVD
 REDONDO BEACH, CA 90278

REVISIONS/SUBMISSIONS:

GLAZING S.E.

Sott J. Sanders, SE
 Arizona, California, Hawaii, Nevada, Washington
 789 MacHoro Ct., Claremont, California 91711
 P : 909.625.1906 ; F : 909.634.7860
 sjs@claremontSE.com

DRAWN BY: (og) ozzie@psds.us

PROFESSIONAL SHOPDRAWINGS
 For the Commercial Glazing Industry
 125 E Tahquitz Canyon Way
 Suite 203-M
 Palm Springs, CA 92262
 ☎ 1) 377-4114

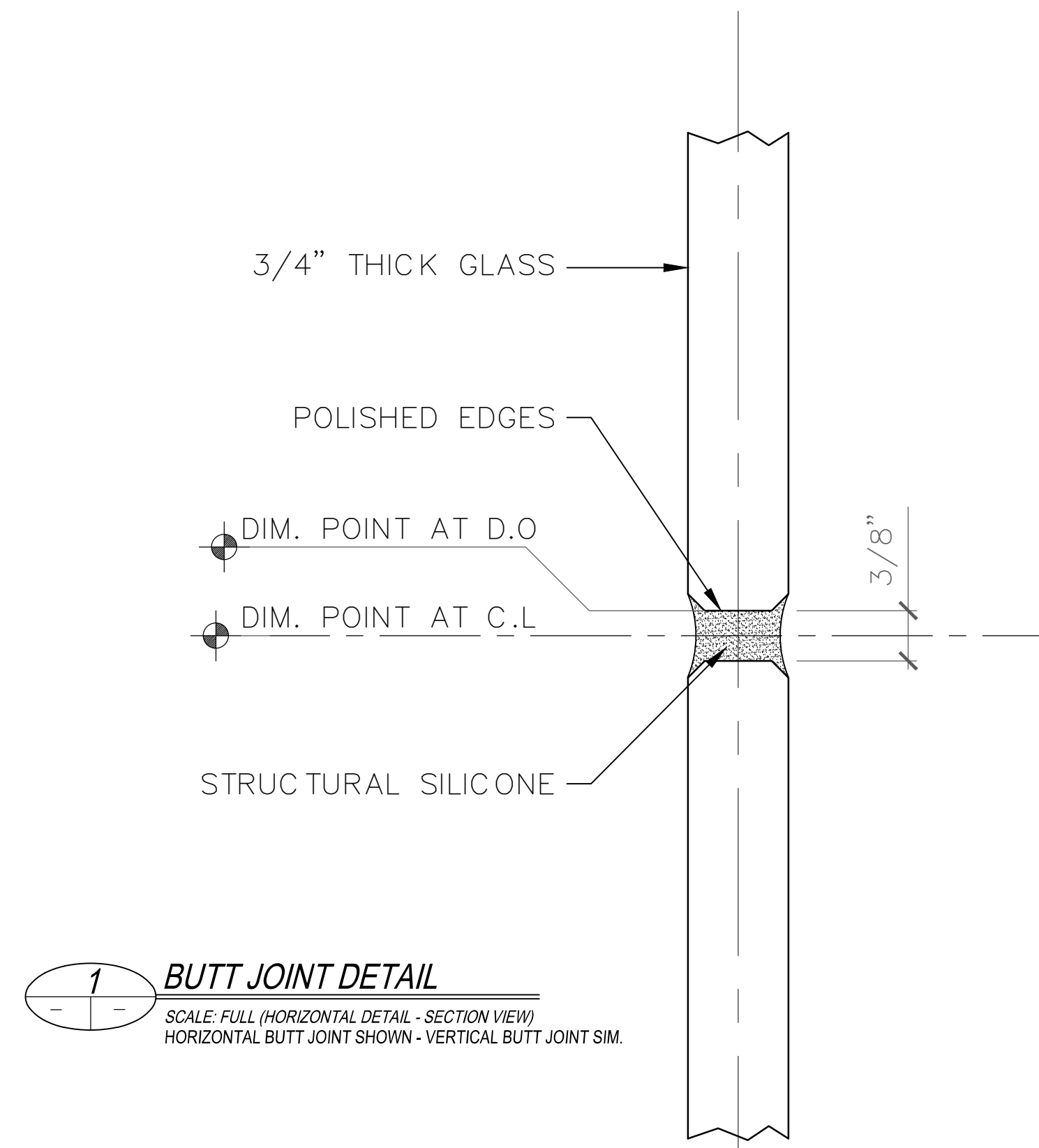
PROJECT:
 DRAWING TITLE:

DETAILS

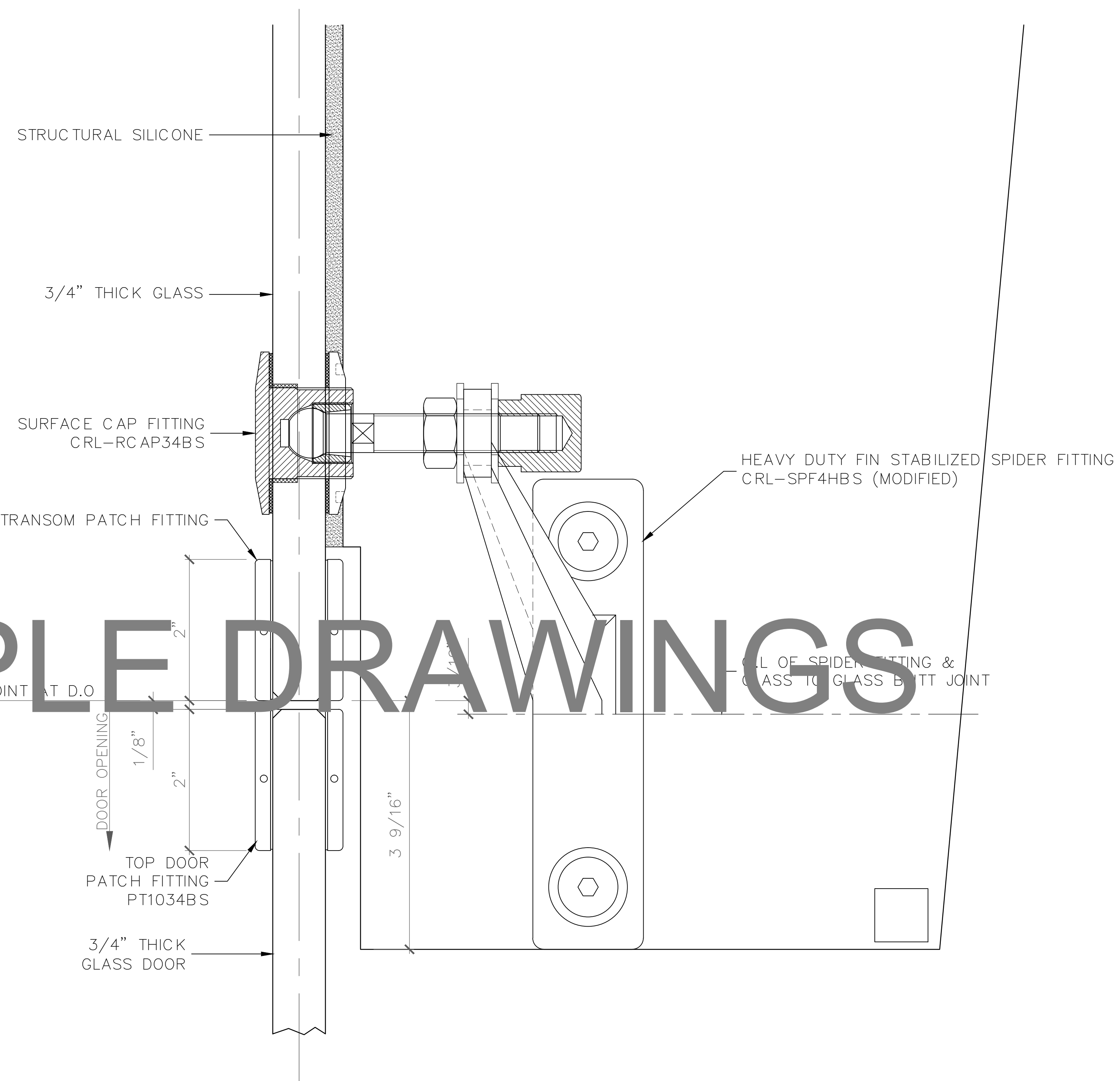
SCALE:
 style="text-align: center;">**FULL**

PLOT DATE:
 style="text-align: center;">**2013.03.23**

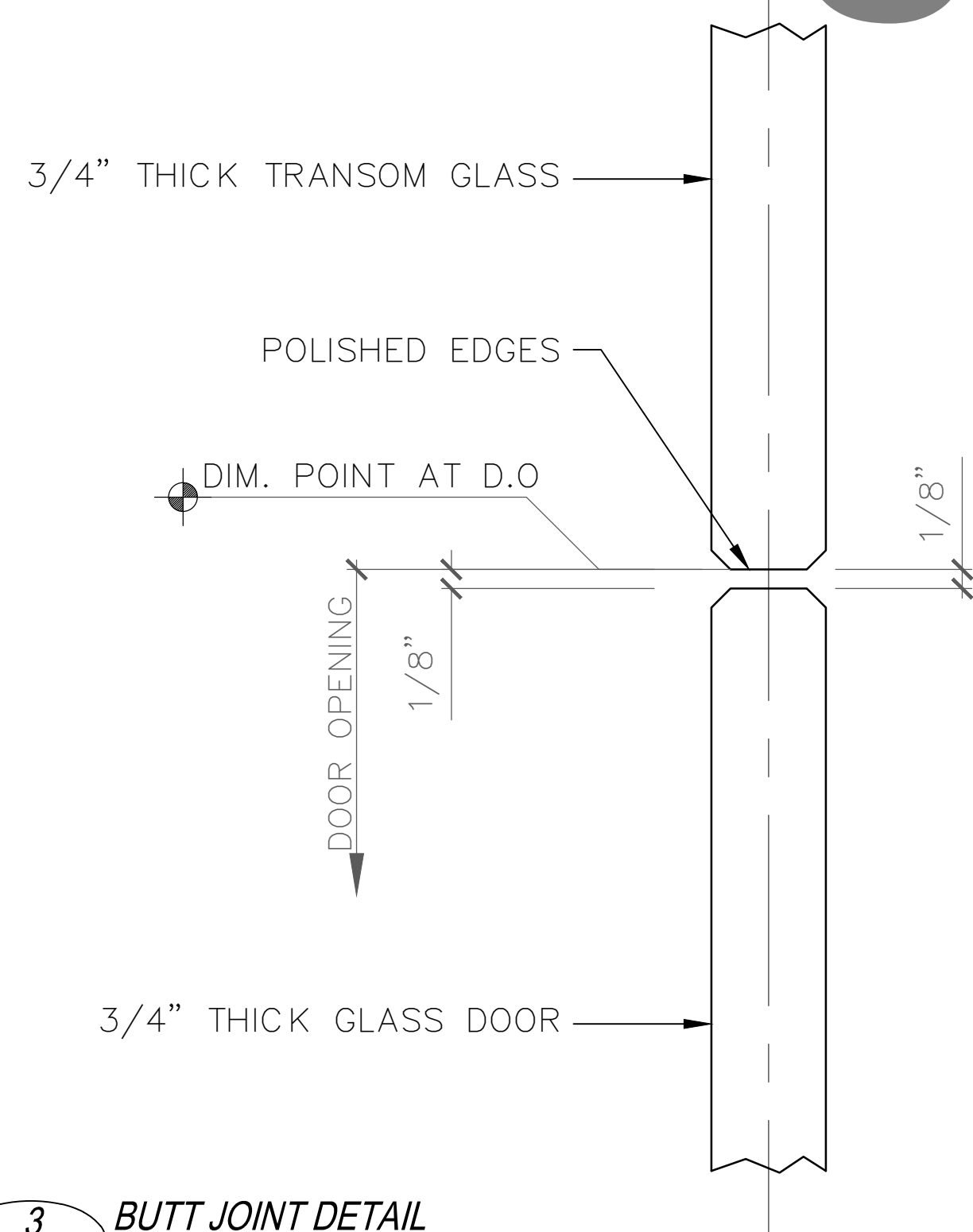
SHEET NO:
 style="text-align: center; font-size: 24px;">**D.4**



1 BUTT JOINT DETAIL
SCALE: FULL (HORIZONTAL DETAIL - SECTION VIEW)
HORIZONTAL BUTT JOINT SHOWN - VERTICAL BUTT JOINT SIM.



2 DOOR / TRANSOM PATCH FITTING
SCALE: FULL (HORIZONTAL DETAIL - SECTION VIEW)



3 BUTT JOINT DETAIL
SCALE: FULL (HORIZONTAL DETAIL - SECTION VIEW)
HORIZONTAL BUTT JOINT SHOWN - VERTICAL BUTT JOINT SIM.

NOTE:
ALL DIMENSIONS TO BE VERIFIED BY GLAZING CONTRACTOR

SAMPLE DRAWINGS

ARCHITECT:

GENERAL CONTRACTOR:

PROJECT:
WEDGEWOOD ENTERPRISE CORPORATION
2015 MANHATTAN BEACH BLVD
REDONDO BEACH, CA 90278

REVISIONS/SUBMISSIONS:

GLAZING S.E.
Sott J. Sanders, SE
Arizona, California, Hawaii, Nevada, Washington
789 Mariposa Ct., Claremont, California 91711
P: 909.625.1906; F: 909.634.7860
sjs@claremontse.com

DRAWN BY: (og) ozzie@psds.us
PROFESSIONAL SHOPDRAWINGS
For the Commercial Glazing Industry
125 E Tahquitz Canyon Way
Suite 203-M
Palm Springs, CA 92262
(951) 377-4114

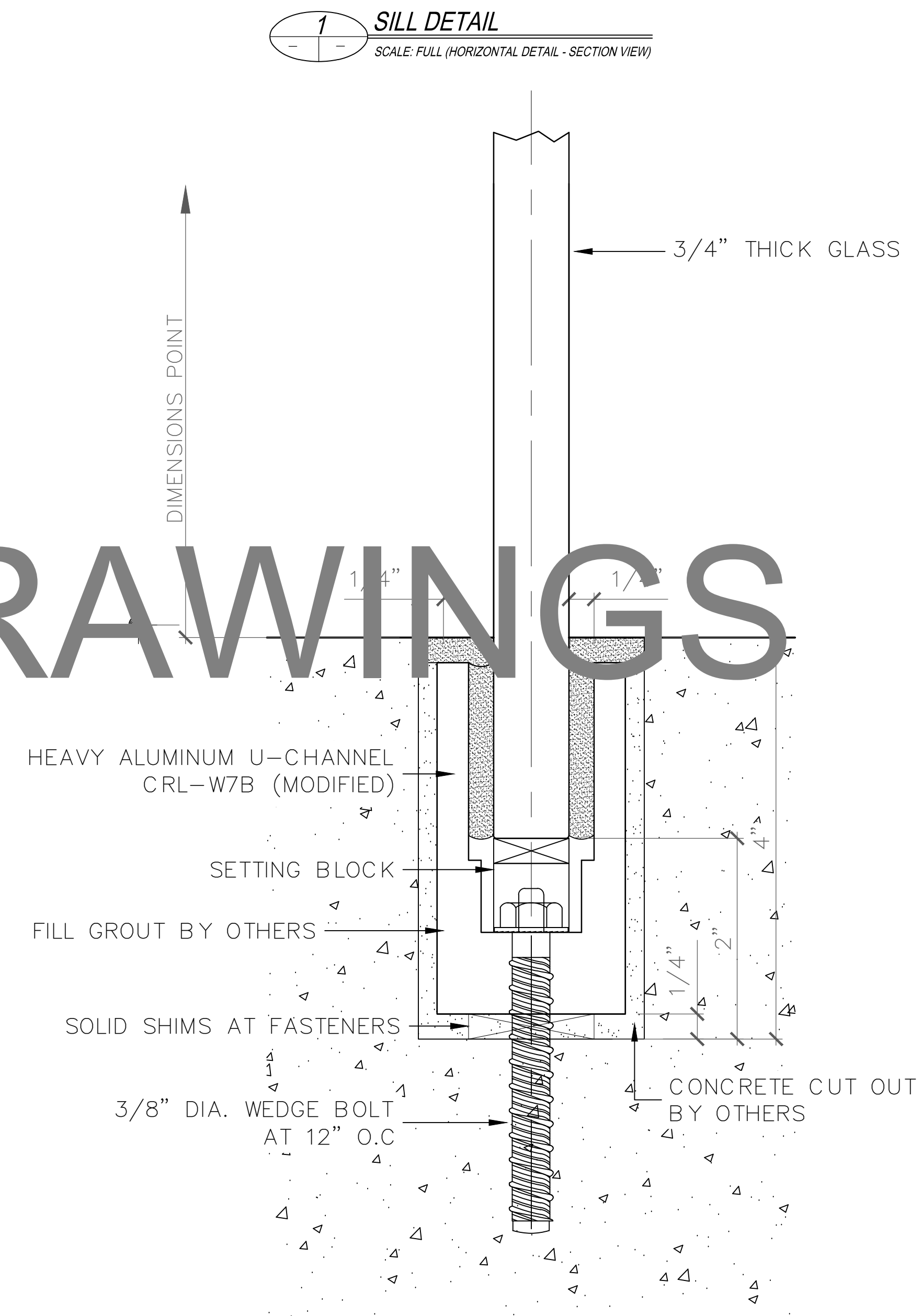
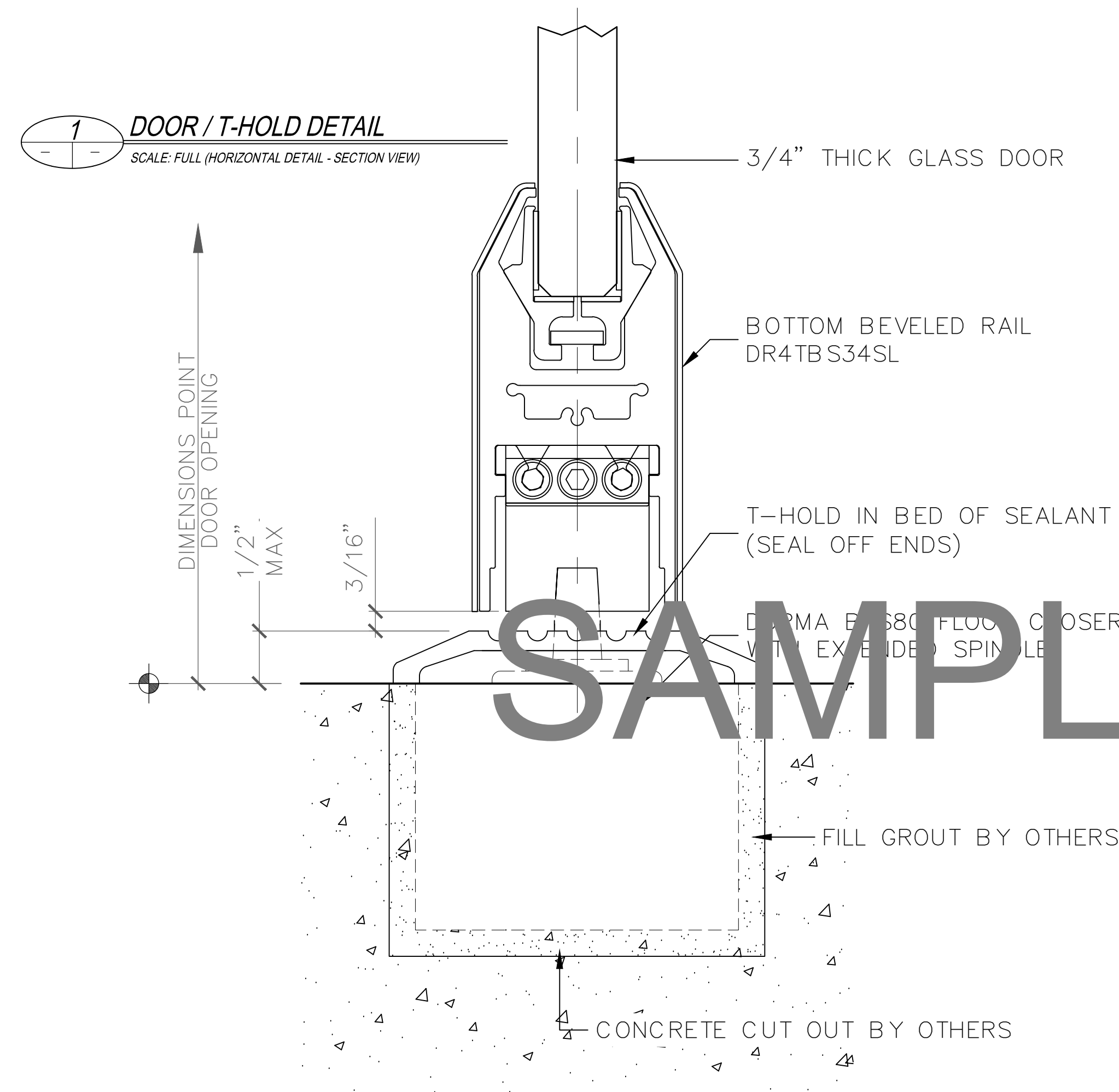
PROJECT:
DRAWING TITLE:

DETAILS

SCALE:
FULL

PLOT DATE:
2013.03.23

SHEET NO:
D.5



SAMPLE DRAWINGS

NOTE:
ALL DIMENSIONS TO BE VERIFIED BY GLAZING CONTRACTOR.
COORDINATE WITH G.C AS REQUIRED

ARCHITECT:

GENERAL CONTRACTOR:

PROJECT:
WEDGEWOOD ENTERPRISE CORPORATION
2015 MANHATTAN BEACH BLVD
REDONDO BEACH, CA 90278

REVISIONS/SUBMISSIONS:

GLAZING S.E.
Sott J. Sanders, SE
Anaheim, California, Hawaii, Nevada, Washington
789 Mariposa Ct., Claremont, California 91711
P : 909.625.1906 ; F : 909.634.7860
sjs@claremontSE.com

DRAWN BY: (og) ozzie@psds.us
PROFESSIONAL SHOPDRAWINGS
For the Commercial Glazing Industry
125 E Tahquitz Canyon Way
Suite 203-M
Palm Springs, CA 92262
(760) 377-4114

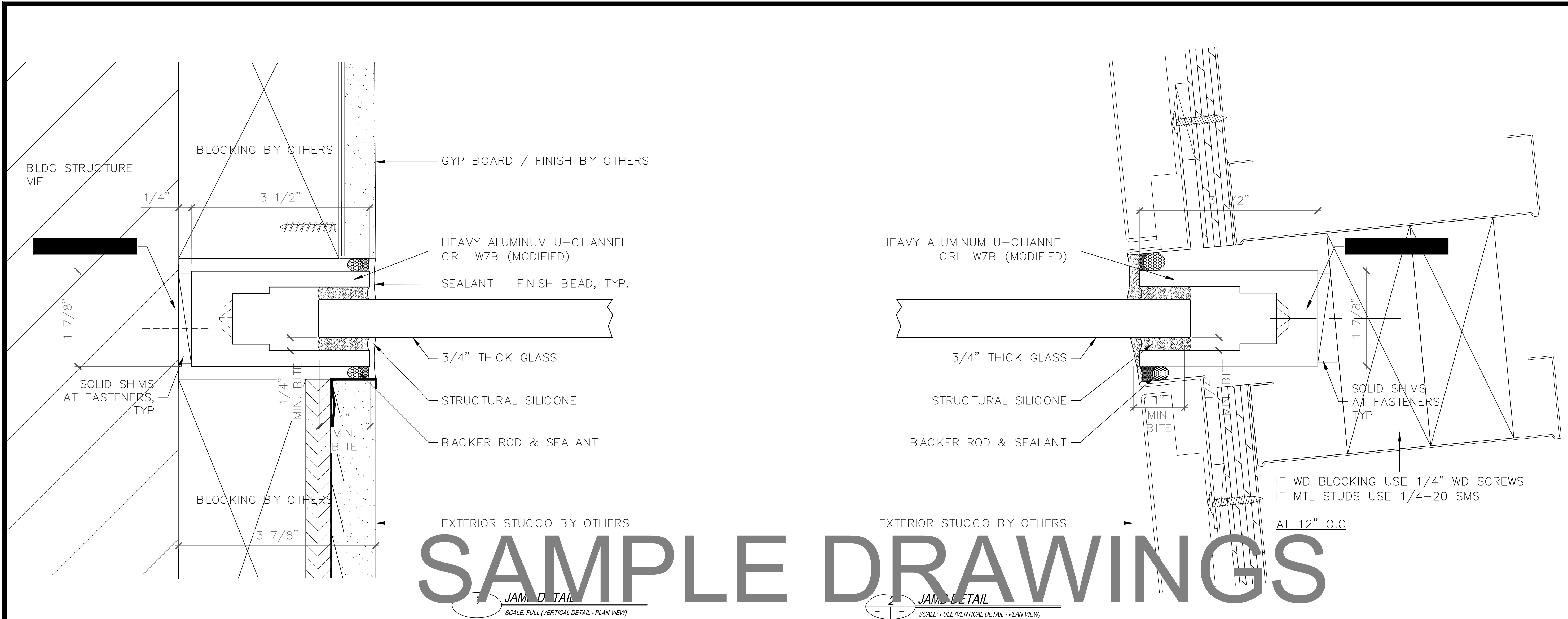
PROJECT:
DRAWING TITLE:

DETAILS

SCALE:
FULL

PLOT DATE:
2013.03.23

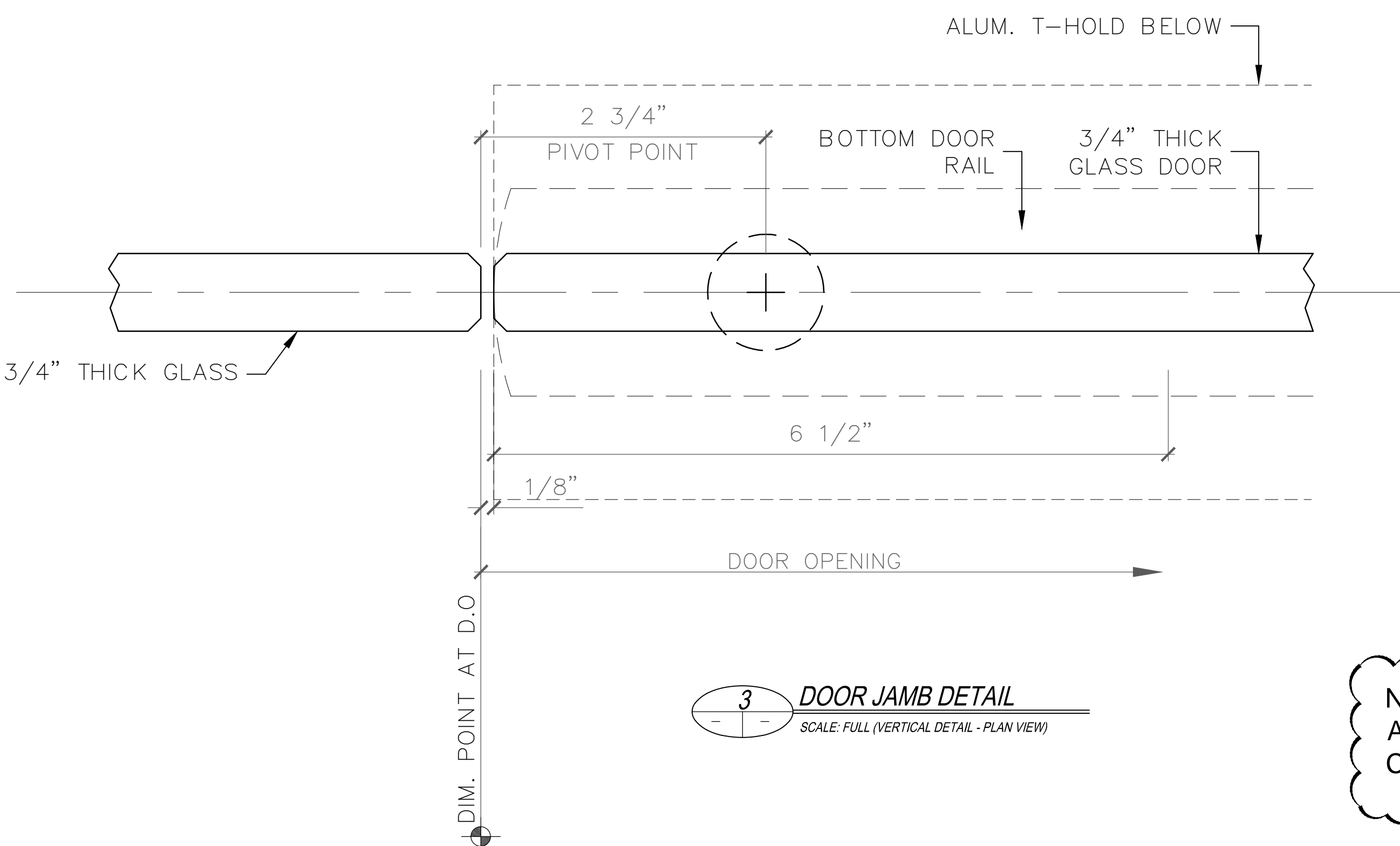
SHEET NO:
D.6



SAMPLE DRAWINGS

1 JAMB DETAIL
SCALE: FULL (VERTICAL DETAIL - PLAN VIEW)

2 JAMB DETAIL
SCALE: FULL (VERTICAL DETAIL - PLAN VIEW)



3 DOOR JAMB DETAIL
SCALE: FULL (VERTICAL DETAIL - PLAN VIEW)

NOTE:
ALL DIMENSIONS TO BE VERIFIED BY GLAZING CONTRACTOR.
COORDINATE WITH G.C AS REQUIRED

ARCHITECT:

GENERAL CONTRACTOR:

PROJECT:
WEDGEWOOD ENTERPRISE CORPORATION
2015 MANHATTAN BEACH BLVD
REDONDO BEACH, CA 90278

REVISIONS/SUBMISSIONS:

GLAZING S.E.
Sott J. Sanders, SE
Anaheim, California, Hawaii, Nevada, Washington
789 Mariposa Ct., Claremont, California 91711
P: 909.625.1906; F: 909.634.7860
sjs@claremontse.com

DRAWN BY: (og) ozzie@psds.us
PROFESSIONAL SHOPDRAWINGS
For the Commercial Glazing Industry
125 E Tahquitz Canyon Way
Suite 203-M
Palm Springs, CA 92262
(951) 377-4114

PROJECT:
DRAWING TITLE:

DETAILS

SCALE:
FULL

PLOT DATE:
2013.03.23

SHEET NO:
D.7