

SHOP DRAWINGS FOR: CBRE 25TH & 26TH FLOOR T.I

(CONF RMS 2503, 2607, 2608, 2629, 2630, 2652, 2653, 2654 DEFERRED SUBMITTALS)
LOS ANGELES, CALIFORNIA

HATCH LEGEND

ALUMINUM	
STEEL	
PLYWOOD	
GYP. BOARD	
BACKER ROD	
CONCRETE / STUCCO	

SYMBOL LEGEND

FLOOR PLAN ELEVATION MARKER		ELEVATION MARK SHEET NUMBER
ELEVATION MARK		ELEVATION MARK
DETAIL NOTE		DETAIL NUMBER SHEET NUMBER
DOOR NUMBER		
MATCH LINE MARKER		FILLED IN AREA SIDE OF DISPLAY
WIND LOAD ANCHOR CLIP		
T-ANCHOR CLIP		#1= ATTACH TO CONCRETE #2= ATTACH TO STEEL #3= ATTACH TO STEEL STUD
REVISION MARK		REVISION NUMBER

ABBREVIATIONS

RO	=	ROUGH OPENING
NFD	=	NET FRAME DIMENSION
TYP	=	TYPICAL
DO	=	DOOR OPENING
DLO	=	DAYLITE OPENING
SP	=	SPANDREL GLASS
T	=	TEMPERED GLASS (WHERE REQUIRED BY CODE)
C	=	CENTER LINE
VIF	=	VERIFY IN FIELD
FF	=	FINISH FLOOR
QTY	=	QUANTITY
TBD	=	TO BE DETERMINED
REQ	=	REQUIRED
GC	=	GENERAL CONTRACTOR

GENERAL NOTES

DRAWN PER PLANS ISSUED FOR CONSTRUCTION DATED 04-22-13
ALL DIMENSIONS TO BE VERIFIED IN FIELD PRIOR TO FABRICATION/ORDERING

- STRUCTURE MUST BE CAPABLE OF WITHSTANDING LOADS IMPOSED BY GLAZING SYSTEM
- ALL DIMENSIONS SHOWN ARE TO DEMONSTRATE GENERAL COMPLIANCE WITH ARCHITECTURAL DESIGN INTENT. ALL DIMENSIONS SHALL BE FIELD VERIFIED PRIOR TO FABRICATION OR INSTALLATION OF FRAMING AND GLAZING MATERIALS. ALL DIMENSIONS ARE SUBJECT TO SLIGHT MODIFICATIONS TO FIT OPENINGS.

FRAMING

1" x 1-1/2" x 1/8" ALUMINUM HEAD/SILL U-CHANNEL WHERE INDICATED
1" x 1/2" x 1/8" ALUMINUM SILL U-CHANNEL WHERE INDICATED
1-1/2" x 1-1/2" x 1/8" ALUMINUM HEAD/SILL U-CHANNEL WHERE INDICATED
CR LAURENCE W7B HEAVY ALUMINUM U-CHANNEL FOR 3/4" GLASS WALL

DOORS

N/A

GLASS TYPE

GL-2A : 5/8" LOW IRON TEMPERED COLORED GLASS
GL-5 : 1/4" BACK PAINTED PER APPROVED SAMPLE
GL-6 : 3/4" LOW IRON LAMINATED GLASS
GL-7A : 5/18" LOW IRON TEMPERED GLASS

SEALANT

- DOW CORNING 795 (STRUCTURAL - AT ALL ALUMINUM TO ALUMINUM AND GLASS TO ALUMINUM APPLICATIONS)
- DOW CORNING 999 CLEAR SILICONE AT ALL BUTT JOINTS

PLYWOOD BACKING

1/2" THICK APA STRUCT I
5-PLY 32/16 RATED

SCREWS

S1 : 1/4" TAPCON WITH 1-1/2" EMBEDMENT @ 12" O.C (ESR-2202)
S2 : 12-14 TEK SCREWS @ 12" O.C (ESR-1976)
S3 : 3/8" DIA MACHINE SCREW
S4 : 3/8" DIA KWIK HUS-EZ CONCRETE FASTENER (ESR-3027)

SAMPLE DRAWINGS

ARCHITECT:

GENERAL CONTRACTOR:

PROJECT:

CBRE
25th & 26th
FLOOR T.I

400 S. HOPE ST
LOS ANGELES, CA 90071

DEFERRED
SUBMITTALS

REVISIONS/SUBMISSIONS:

NO.	DESCRIPTION	DATE
1	ARCHITECT RVM/CORRECTIONS	08-07-13
2	REV'D GLAZING CHANNEL	07-24-13

DRAWN BY: (og) ozzie@psds.us

PROFESSIONAL SHOPDRAWINGS
For the Commercial Glazing Industry
125 E Tahquitz Canyon Way
Suite 203-M
Palm Springs, CA 92262
(951) 377-4114

PROJECT:13-074

DRAWING TITLE:

TITLE SHEET

SCALE:

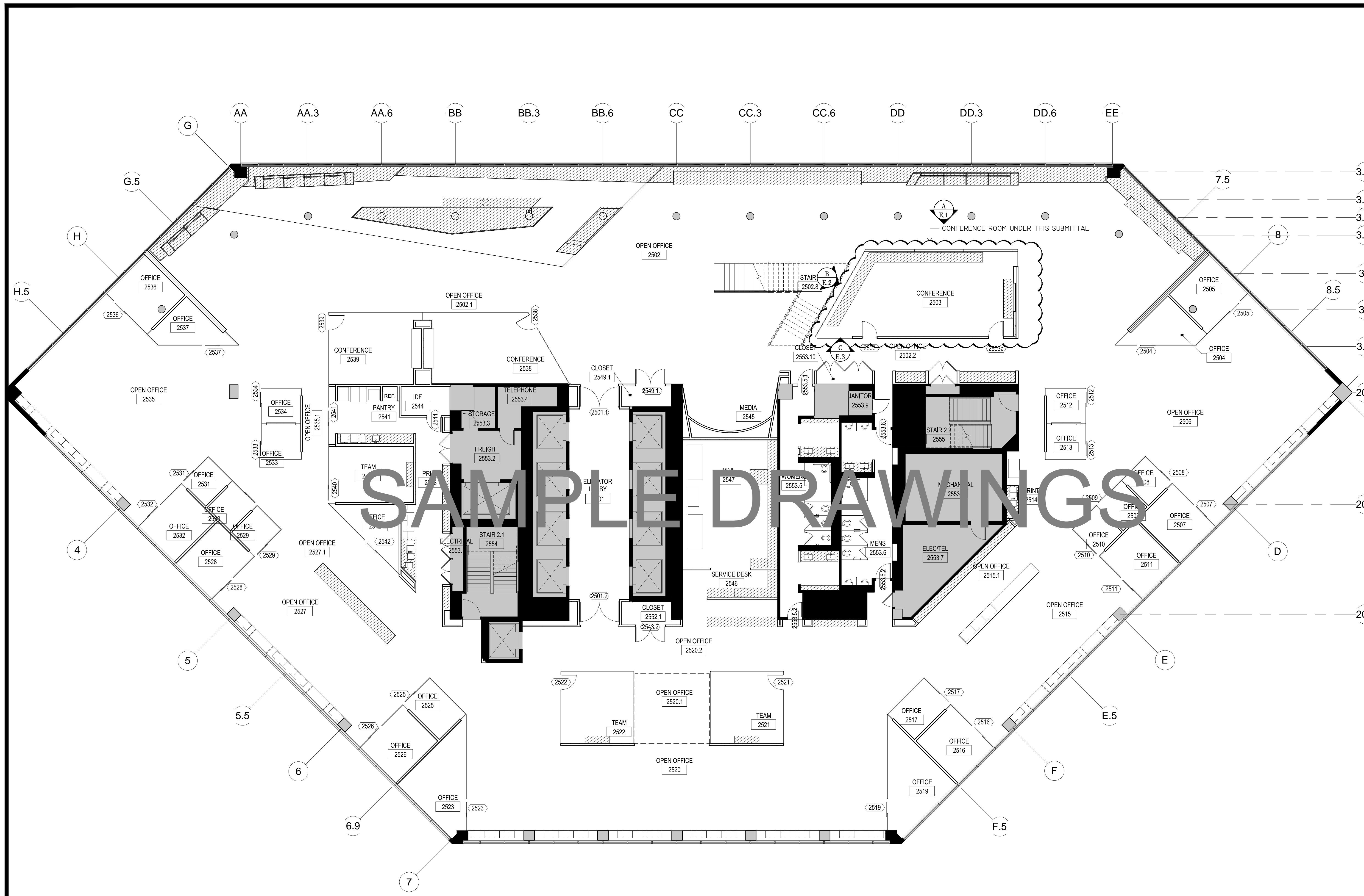
1/2" = 1'-0

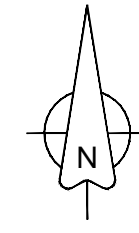
PLOT DATE:

2013.05.20

SHEET NO:

T




FLOOR PLAN LEVEL 25
 SCALE: 3/32" = 1'-0"
 ARCH. REF: A02.25

NOTE: FLOOR PLANS SHOWN FOR LOCATION REFERENCE ONLY

ARCHITECT:

GENERAL CONTRACTOR:

PROJECT:
CBRE
25th & 26th
FLOOR T.I
 400 S. HOPE ST
 LOS ANGELES, CA 90071

DEFERRED SUBMITTALS

REVISIONS/SUBMISSIONS:

NO.	DESCRIPTION	DATE

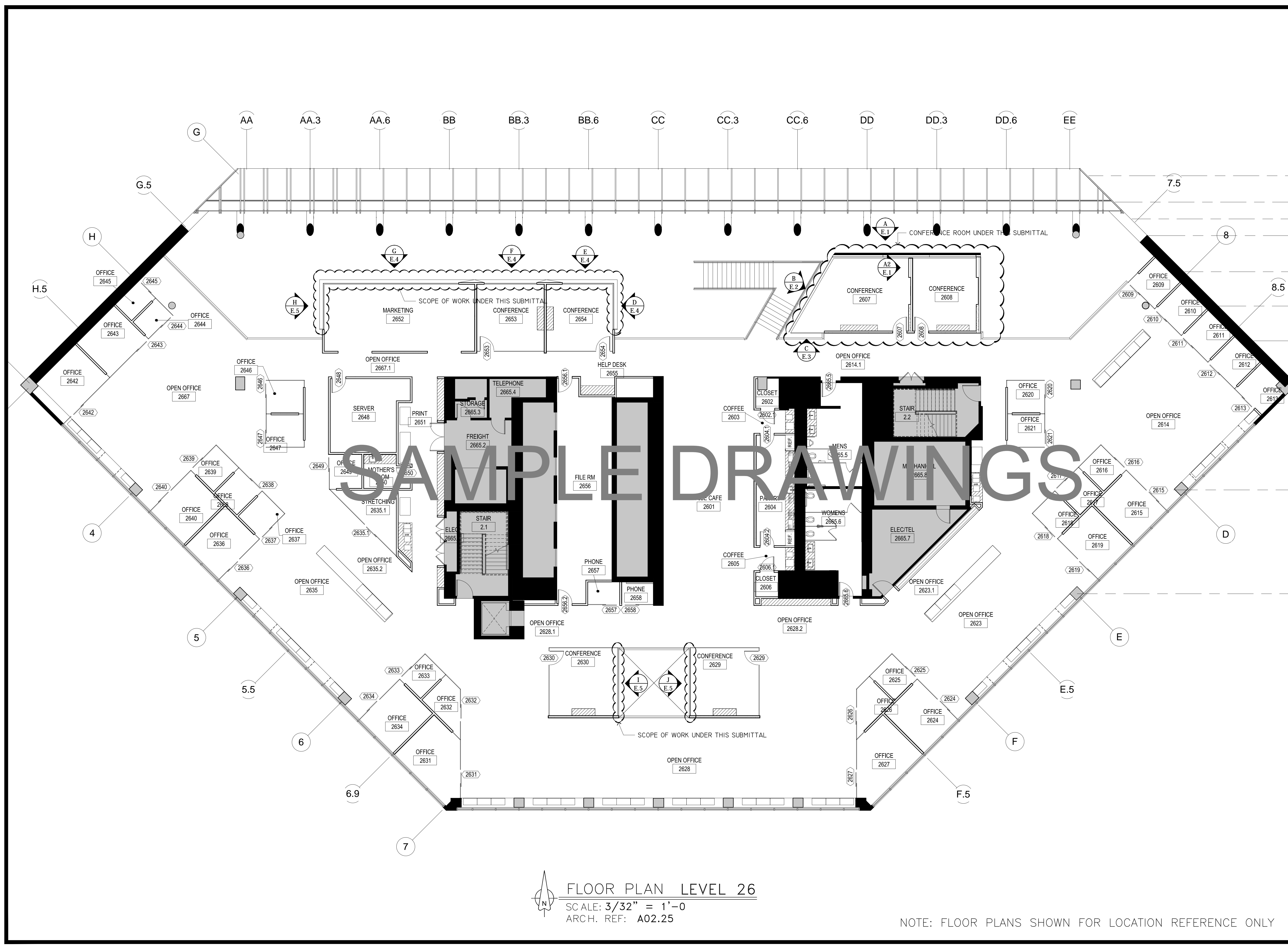
DRAWN BY: (og) *ozzie@psds.us*
PROFESSIONAL SHOPDRAWINGS
ARCHITECTURAL & ENGINEERING
 125 E Tahquitz Canyon Way
 Suite 203-M
 Palm Springs, CA 92262
 (951) 377-4114

PROJECT: 13-074
 DRAWING TITLE:
FLR PLN - LVL 25

SCALE:
 1/2" = 1'-0"

PLOT DATE:
 2013.05.20

SHEET NO:
FP.25



ARCHITECT:

GENERAL CONTRACTOR:

PROJECT:
CBRE
25th & 26th
FLOOR T.I
 400 S. HOPE ST
 LOS ANGELES, CA 90071

DEFERRED
 SUBMITTALS

REVISIONS/SUBMISSIONS:

NO.	DESCRIPTION	DATE
1	ARCHITECT REVIEW/CORRECTIONS	08-07-12
2	REVISED GLAZING CHANNEL	07-26-15

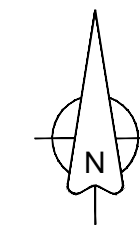
DRAWN BY: (og) ozze@psds.us
PROFESSIONAL SHOPDRAWINGS
 125 E Tahquitz Canyon Way
 Suite 203-M
 Palm Springs, CA 92262
 (951) 377-4114

PROJECT: 13-074
 DRAWING TITLE:
FLR PLN - LVL 26

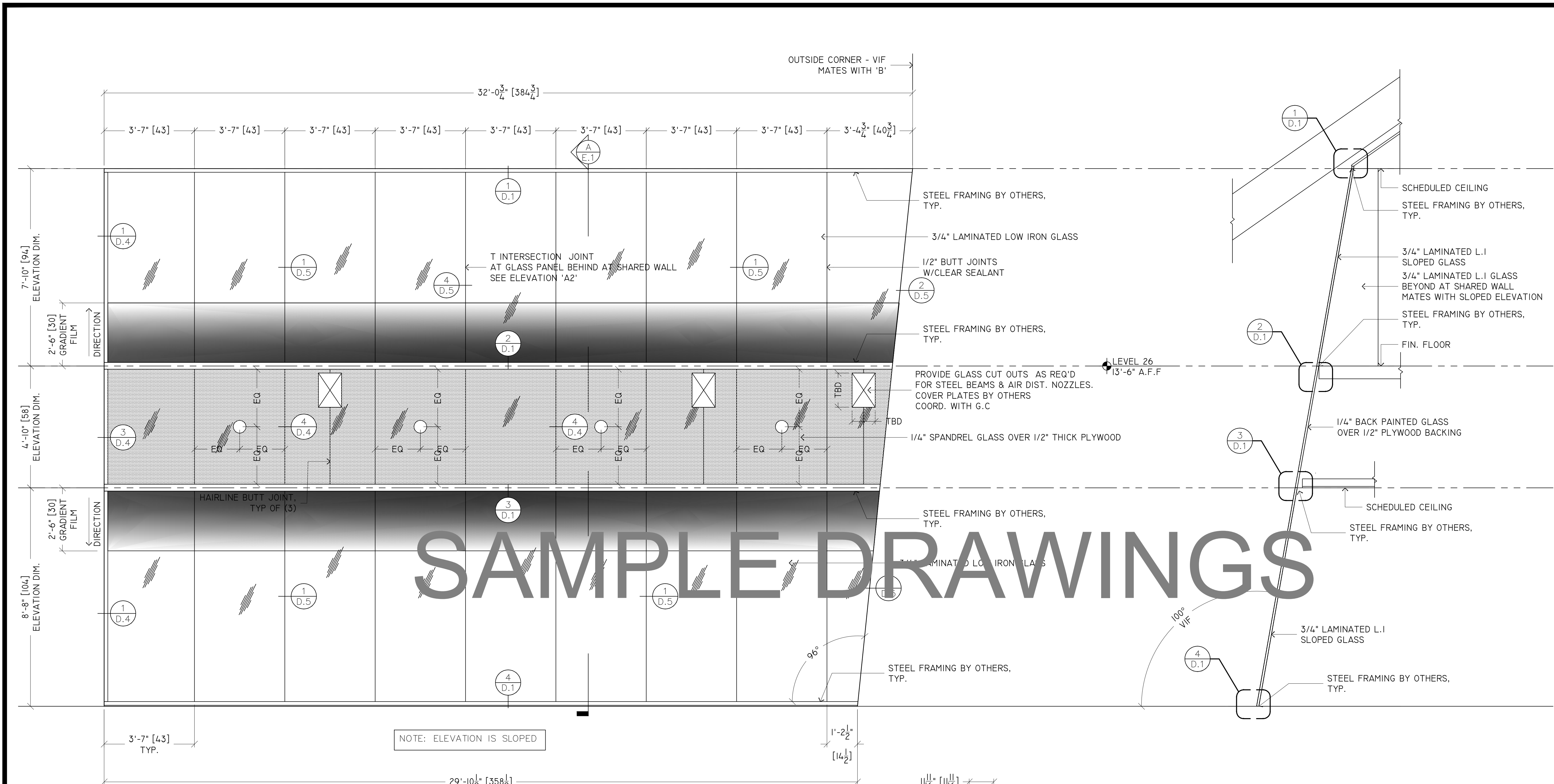
SCALE:
 1/2" = 1'-0"

PLOT DATE:
 2013.05.20

SHEET NO:
FP.26

 **FLOOR PLAN LEVEL 26**
 SCALE: 3/32" = 1'-0"
 ARCH. REF: A02.25

NOTE: FLOOR PLANS SHOWN FOR LOCATION REFERENCE ONLY

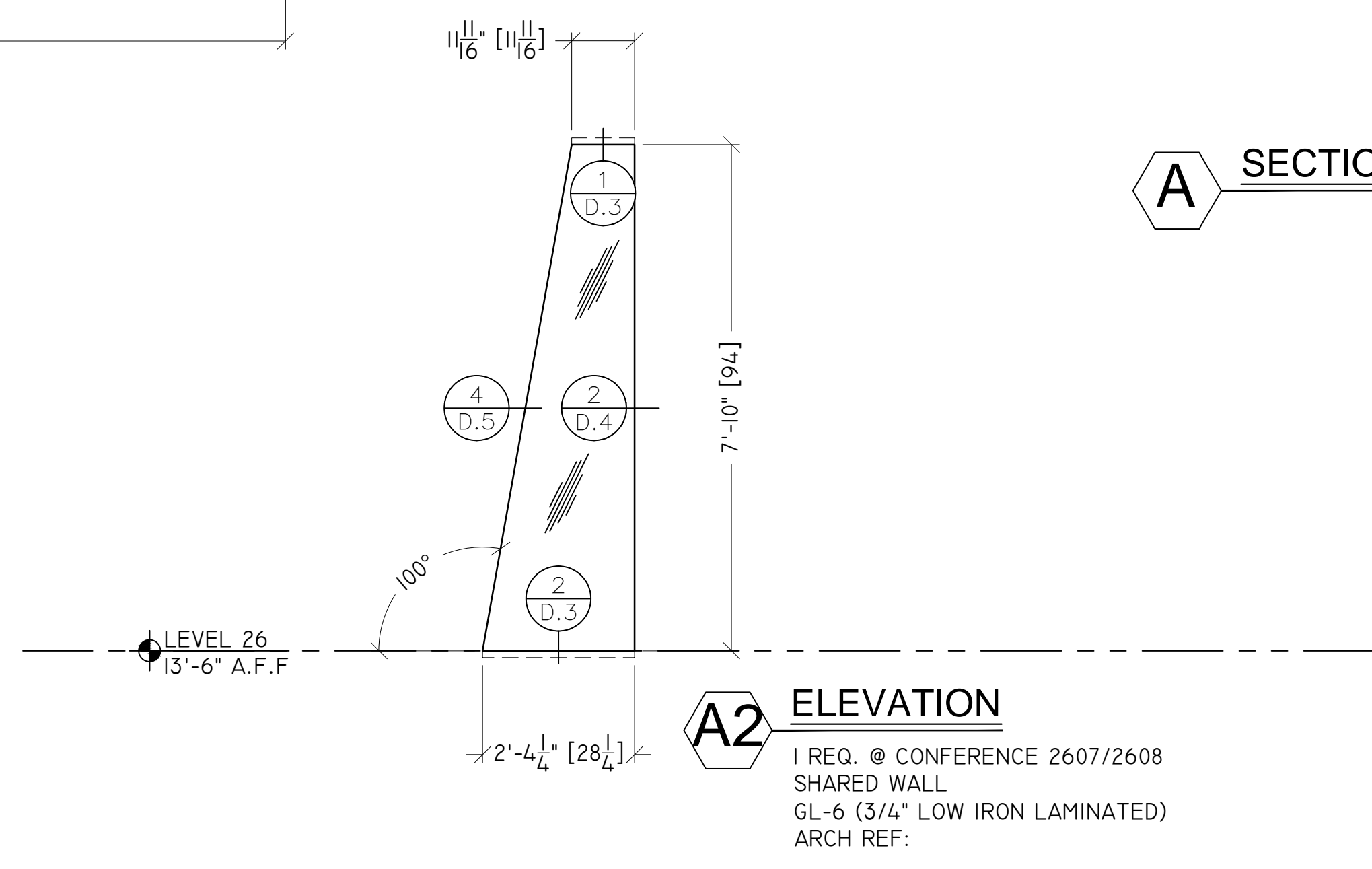


NOTE: ELEVATION IS SLOPED

ALL DIMENSIONS TO BE FIELD VERIFIED

A ELEVATION
 1 REQ. @ CONFERENCE 2503, 2607, 2608
 GL-6 (3/4" LOW IRON LAMINATED)
 GL-5 (1/4" BACK PAINTED GLASS)
 ARCH REF: 2 / A08.II

A SECTION



A2 ELEVATION
 1 REQ. @ CONFERENCE 2607/2608
 SHARED WALL
 GL-6 (3/4" LOW IRON LAMINATED)
 ARCH REF:

ARCHITECT:

GENERAL CONTRACTOR:

PROJECT:

**CBRE
 25th & 26th
 FLOOR T.I**
 400 S. HOPE ST
 LOS ANGELES, CA 90071
 DEFERRED
 SUBMITTALS

REVISIONS/SUBMISSIONS:

NO.	DESCRIPTION	DATE
1	ARCHITECT RVM/CORRECTIONS	08-07-13
2	REV'D GLAZING CHANNEL	07-24-13

DRAWN BY: (og) ozzie@psds.us
PROFESSIONAL SHOPDRAWINGS
 For the Commercial Glazing Industry
 125 E Tahquitz Canyon Way
 Suite 203-M
 Palm Springs, CA 92262
 (951) 377-4114

PROJECT: 13-074
 DRAWING TITLE:

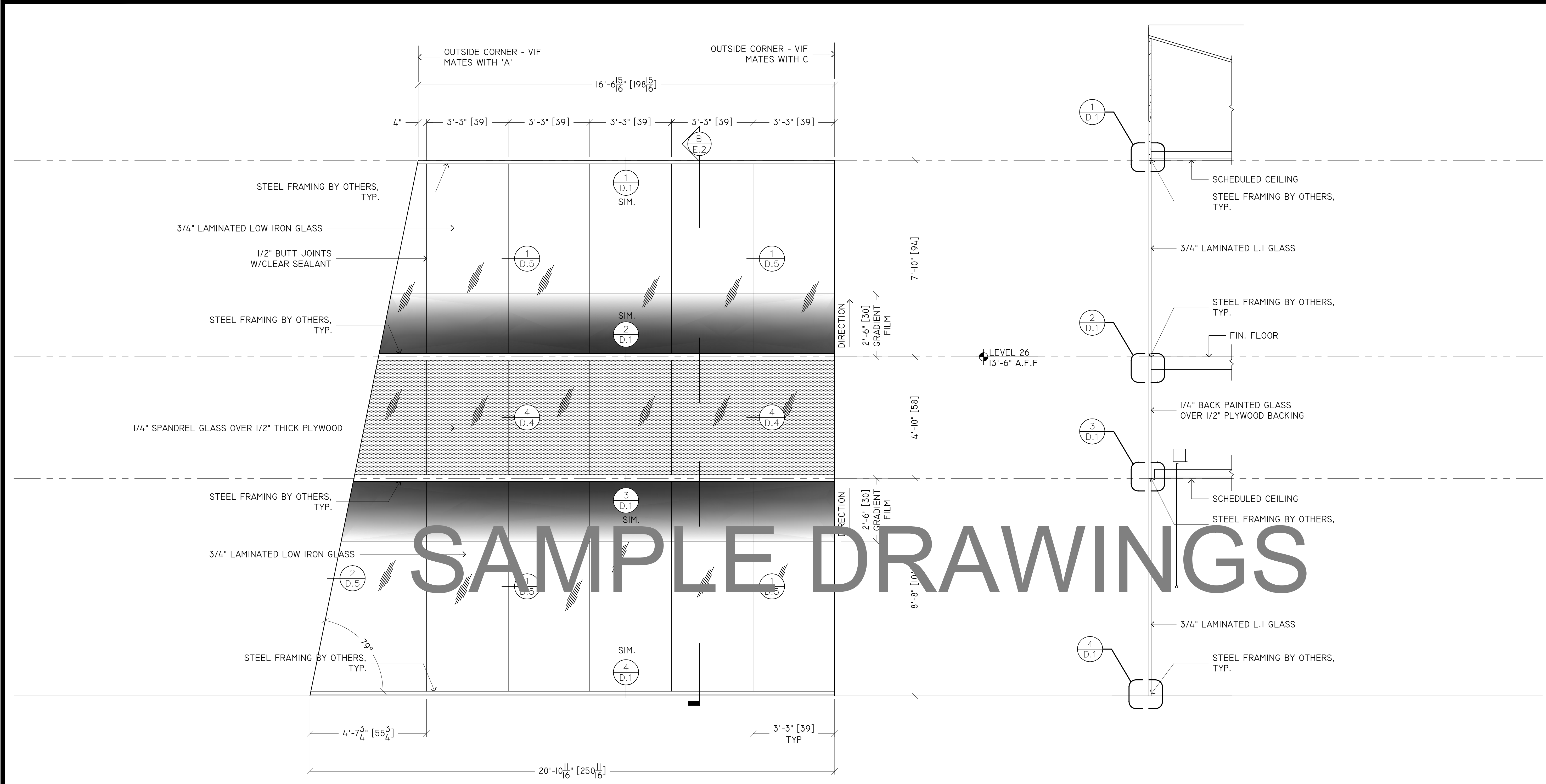
ELEVATION

SCALE:
 1/2" = 1'-0"

PLOT DATE:
 2013.05.20

SHEET NO:

E.1



SAMPLE DRAWINGS

B ELEVATION

1 REQ. @ CONFERENCE 2503, 2607
 GL-6 (3/4" LOW IRON LAMINATED)
 GL-5 (1/4" BACK PAINTED GLASS)
 ARCH REF: I / A08.II

ALL DIMENSIONS TO BE FIELD VERIFIED

B SECTION

ARCHITECT:

GENERAL CONTRACTOR:

PROJECT:

**CBRE
 25th & 26th
 FLOOR T.I**

400 S. HOPE ST
 LOS ANGELES, CA 90071

DEFERRED
 SUBMITTALS

REVISIONS/SUBMISSIONS:

NO.	DESCRIPTION	DATE
1	ARCHITECT RVM/CORRECTIONS	08-07-13
2	REV'D GLAZING CHANNEL	07-24-13

DRAWN BY: (og) ozzie@psds.us

PROFESSIONAL SHOPDRAWINGS
 For the Commercial Glazing Industry
 125 E Tahquitz Canyon Way
 Suite 203-M
 Palm Springs, CA 92262
 (951) 377-4114

PROJECT: 13-074
 DRAWING TITLE:

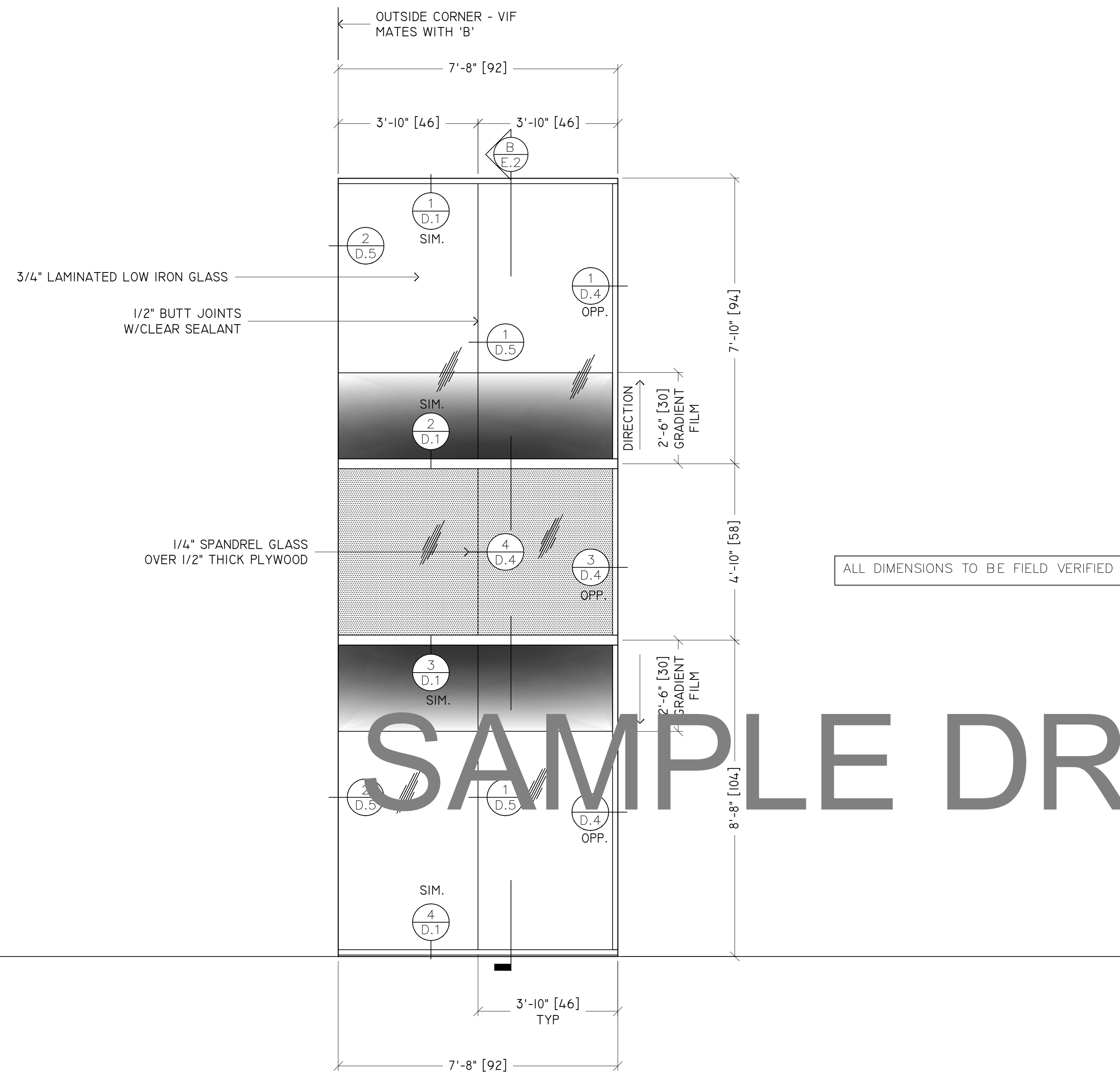
ELEVATION

SCALE:
 1/2" = 1'-0"

PLOT DATE:
 2013.05.20

SHEET NO:

E.2



C ELEVATION
 1 REQ. @ CONFERENCE 2503, 2607
 GL-6 (3/4" LOW IRON LAMINATED)
 GL-5 (1/4" BACK PAINTED GLASS)
 ARCH REF:

SAMPLE DRAWINGS

ARCHITECT:

GENERAL CONTRACTOR:

PROJECT:

**CBRE
 25th & 26th
 FLOOR T.I**

400 S. HOPE ST
 LOS ANGELES, CA 90071

DEFERRED
 SUBMITTALS

REVISIONS/SUBMISSIONS:

NO.	DESCRIPTION	DATE
1	ARCHITECT RVM/CORRECTIONS	08-07-13
2	REV'D GLAZING CHANNEL	07-24-13

DRAWN BY: (og) ozzie@psds.us

PROFESSIONAL SHOPDRAWINGS
 For the Commercial Glazing Industry
 125 E Tahquitz Canyon Way
 Suite 203-M
 Palm Springs, CA 92262
 (951) 377-4114

PROJECT: 13-074

DRAWING TITLE:

ELEVATION

SCALE:

1/2" = 1'-0

PLOT DATE:

2013.05.20

SHEET NO:

E.3

STL CHANNEL & ANGLE, BY OTHERS, TYP.

S3 : 3/8" DIA. M.S & NUT @ 12" O.C
HEAVY ALUMINUM U-CHANNEL
CRL-W7B (MODIFIED)

SOLID SHIMS AT FASTENERS, TYP.

1/4" THICK SPANDREL GLASS
OVER 1/2" PLYWOOD BACKING
(APA STRUC 1 5-PLY 32/16 RATED)

HEAVY ALUMINUM U-CHANNEL
CRL-W7B (MODIFIED)

SCHEDULED CEILING
BY OTHERS

SEALANT BY OTHERS

STRUCTURAL SEALANT
(USE CENTERING BLOCKS AT ENDS
AND O.C OF EA. LITE)
TYP.

ALIGN FACE OF 1/4" GLASS WITH
FACE OF 3/4" GLASS, TYP.

STL ANGLE,
BY OTHERS, TYP.

ARCHITECT:

GENERAL
CONTRACTOR:

PROJECT:

CBRE
25th & 26th
FLOOR T.I

400 S. HOPE ST
LOS ANGELES, CA 90071

DEFERRED
SUBMITTALS

REVISIONS/SUBMISSIONS:

DRAWN BY: (og) ozzie@psds.us
**PROFESSIONAL
SHOPDRAWINGS**
For the Commercial Glazing Industry
125 E Tahquitz Canyon Way
Suite 203-M
Palm Springs, CA 92262
(951) 377-4114

PROJECT: 13-074
DRAWING TITLE:

DETAILS

SCALE:

FULL

PLOT DATE:

2013.05.20

SHEET NO:

D.1

1 HEAD DETAIL

1 A08.13 ARCH REF.
SCALE: FULL (HORIZONTAL DETAIL - SECTION VIEW)
3/4" THICK GLASS WALL

SHEET D.1 FOR DESIGN REVIEW
REVISED GLAZING CHANNEL TO HEAVY
ALUMINUM U-CHANNEL BY RTG.
OG 7-17-13

3 HORIZONTAL DETAIL

2 A08.13 ARCH REF.
SCALE: FULL (HORIZONTAL DETAIL - SECTION VIEW)
3/4" THICK GLASS WALL

4 SILL DETAIL

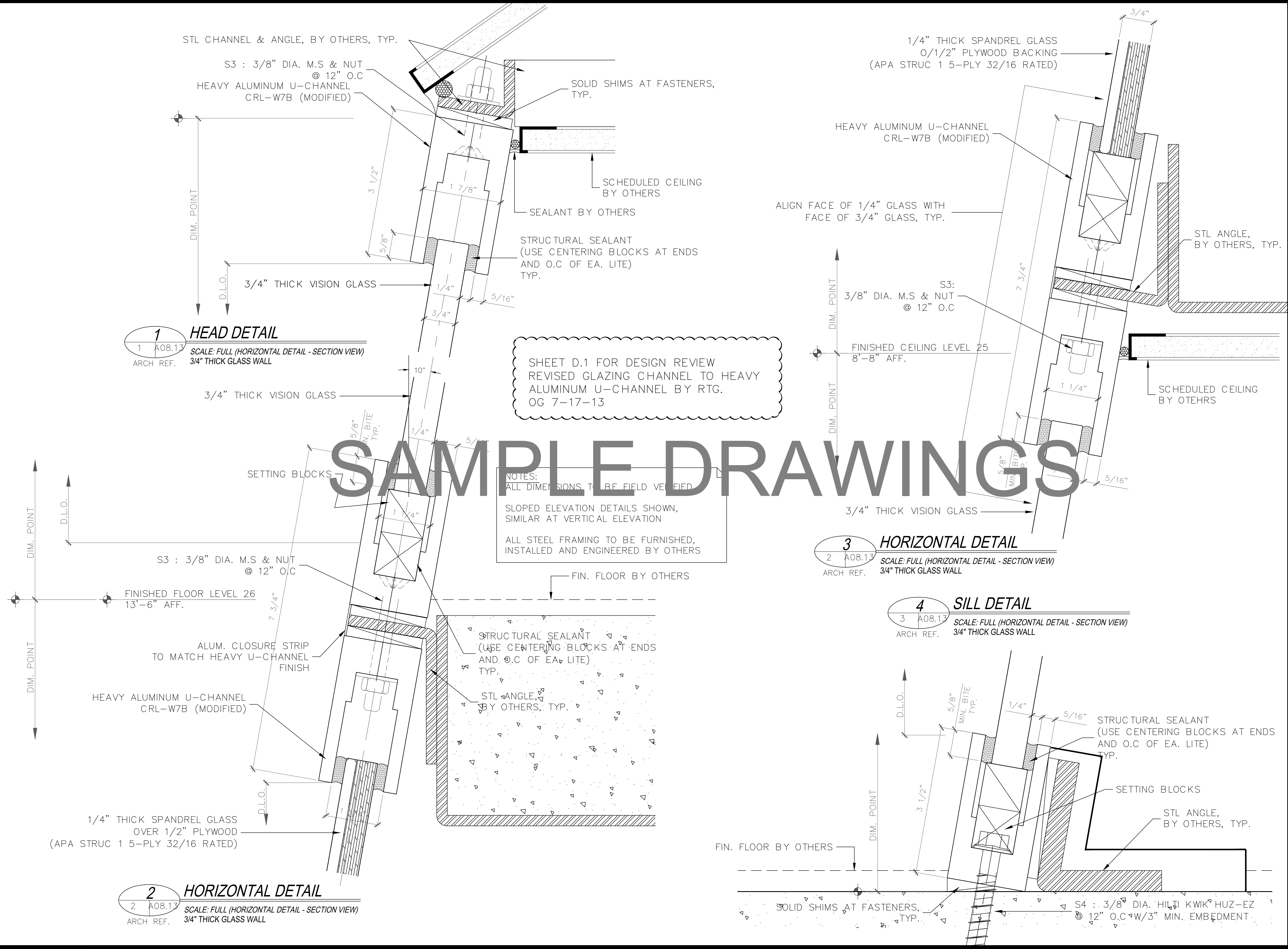
3 A08.13 ARCH REF.
SCALE: FULL (HORIZONTAL DETAIL - SECTION VIEW)
3/4" THICK GLASS WALL

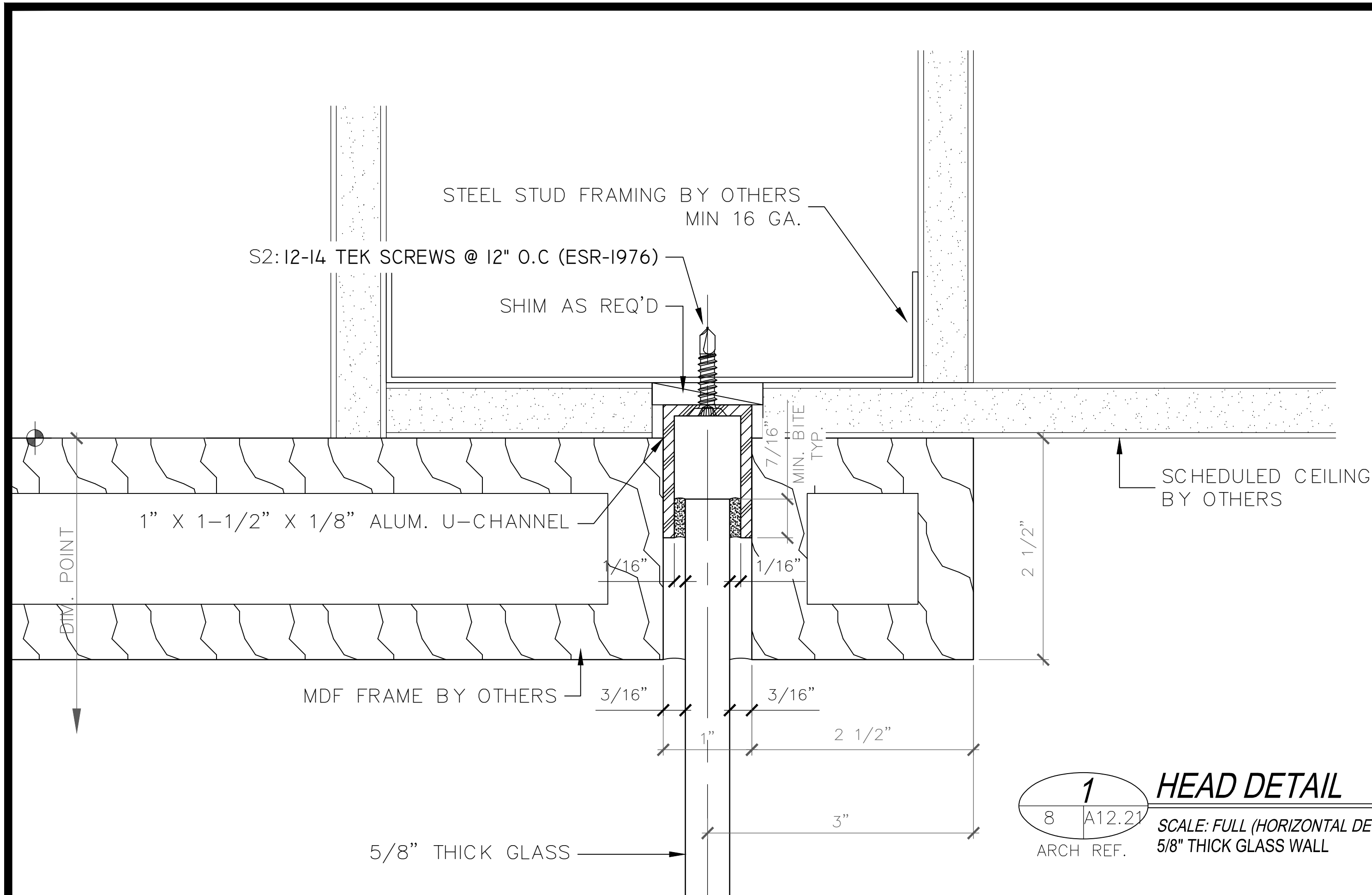
2 HORIZONTAL DETAIL

2 A08.13 ARCH REF.
SCALE: FULL (HORIZONTAL DETAIL - SECTION VIEW)
3/4" THICK GLASS WALL

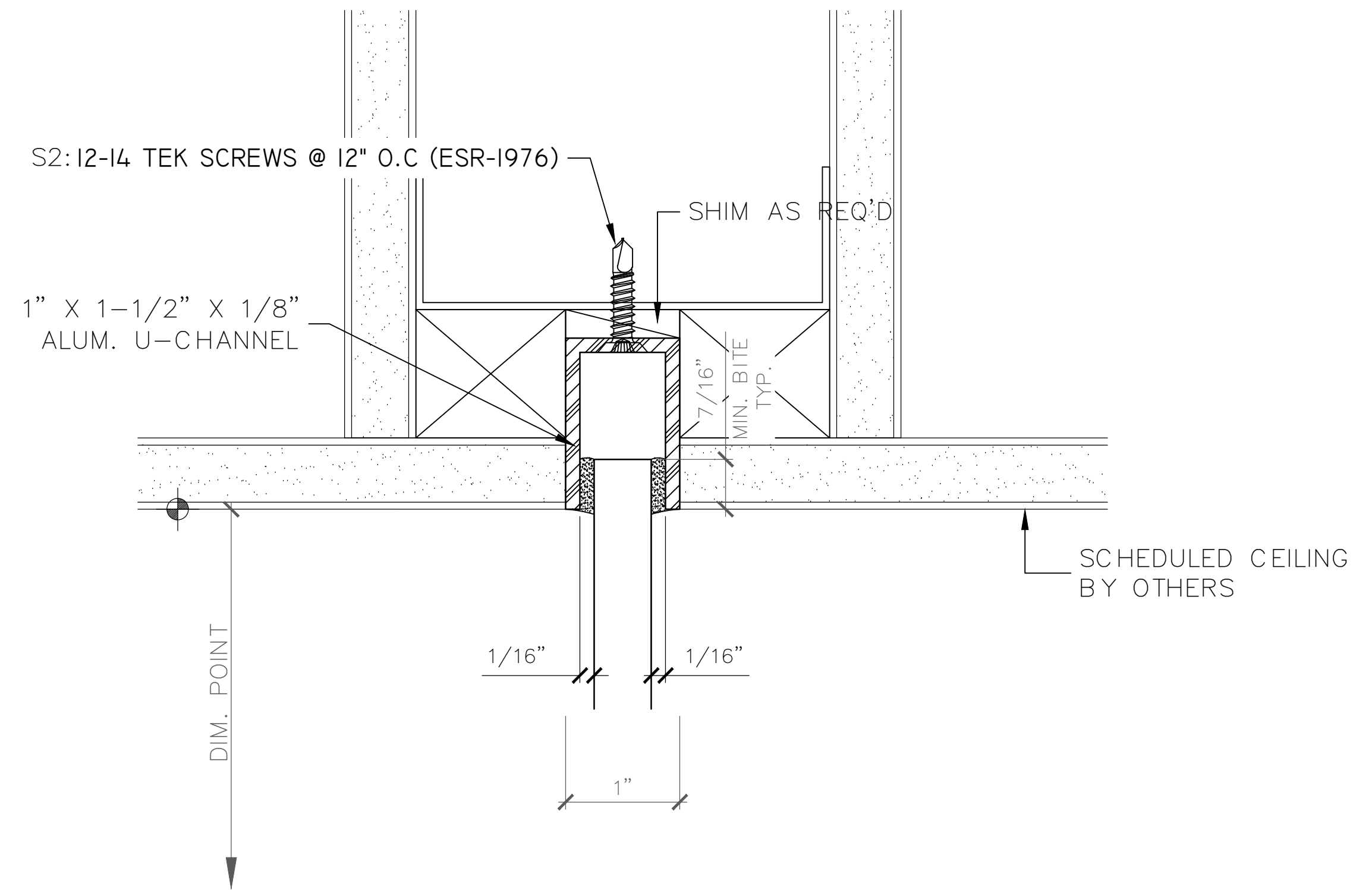
NOTES:
ALL DIMENSIONS TO BE FIELD VERIFIED
SLOPED ELEVATION DETAILS SHOWN,
SIMILAR AT VERTICAL ELEVATION
ALL STEEL FRAMING TO BE FURNISHED,
INSTALLED AND ENGINEERED BY OTHERS

SAMPLE DRAWINGS

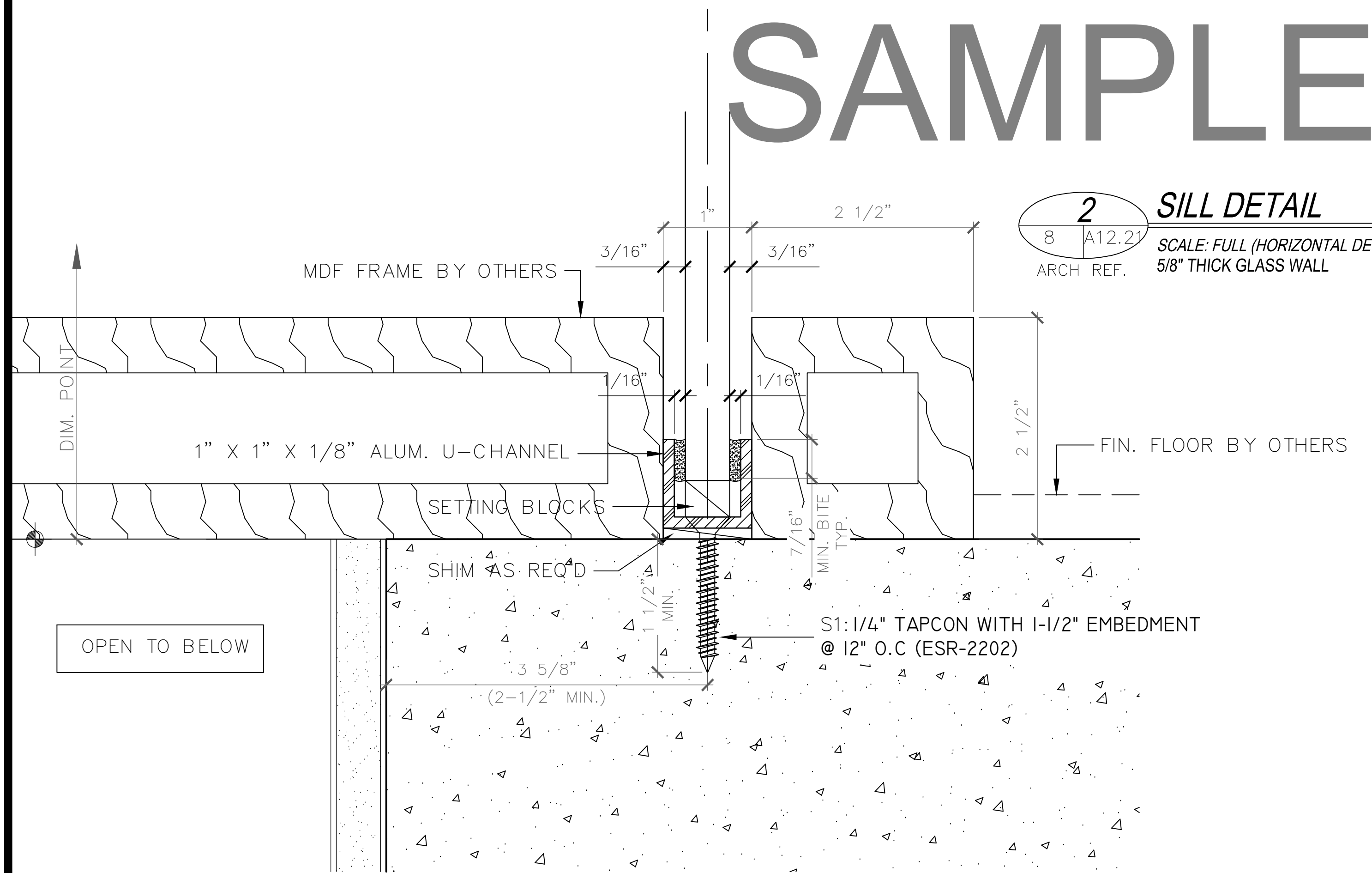




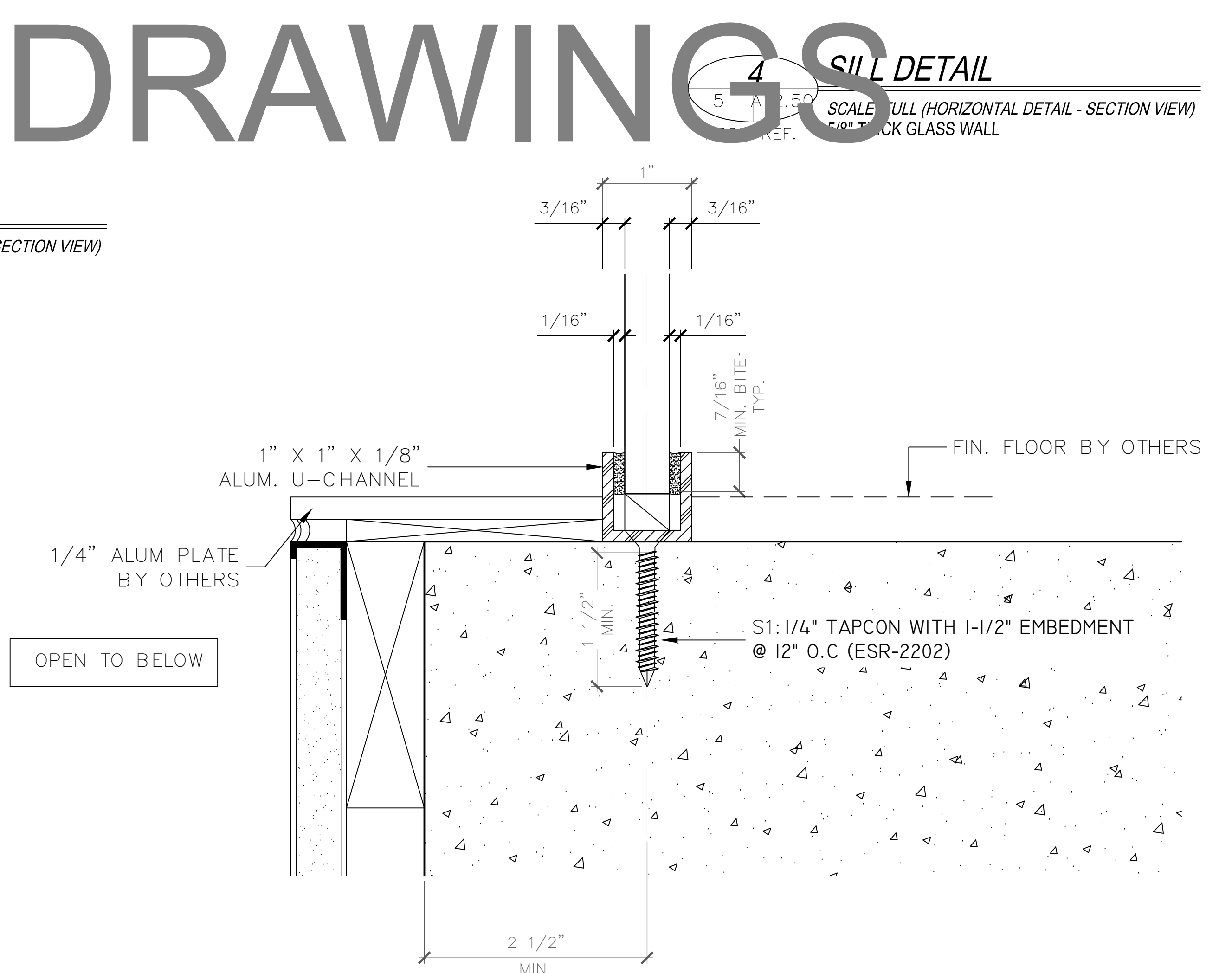
1 HEAD DETAIL
 8 A12.2 ARCH REF. SCALE: FULL (HORIZONTAL DETAIL - SECTION VIEW) 5/8\"/>



3 HEAD DETAIL
 1 A12.10 ARCH REF. SCALE: FULL (HORIZONTAL DETAIL - SECTION VIEW) 5/8\"/>



2 SILL DETAIL
 8 A12.2 ARCH REF. SCALE: FULL (HORIZONTAL DETAIL - SECTION VIEW) 5/8\"/>



4 SILL DETAIL
 5 A12.50 ARCH REF. SCALE: FULL (HORIZONTAL DETAIL - SECTION VIEW) 5/8\"/>

SAMPLE DRAWINGS

ARCHITECT:

GENERAL CONTRACTOR:

PROJECT:

**CBRE
 25th & 26th
 FLOOR T.I**

400 S. HOPE ST
 LOS ANGELES, CA 90071

DEFERRED
 SUBMITTALS

REVISIONS/SUBMISSIONS:

NO.	DESCRIPTION	DATE

DRAWN BY: (og) ozzie@psds.us
PROFESSIONAL SHOPDRAWINGS
 For the Commercial Glazing Industry
 125 E Tahquitz Canyon Way
 Suite 203-M
 Palm Springs, CA 92262
 (951) 377-4114

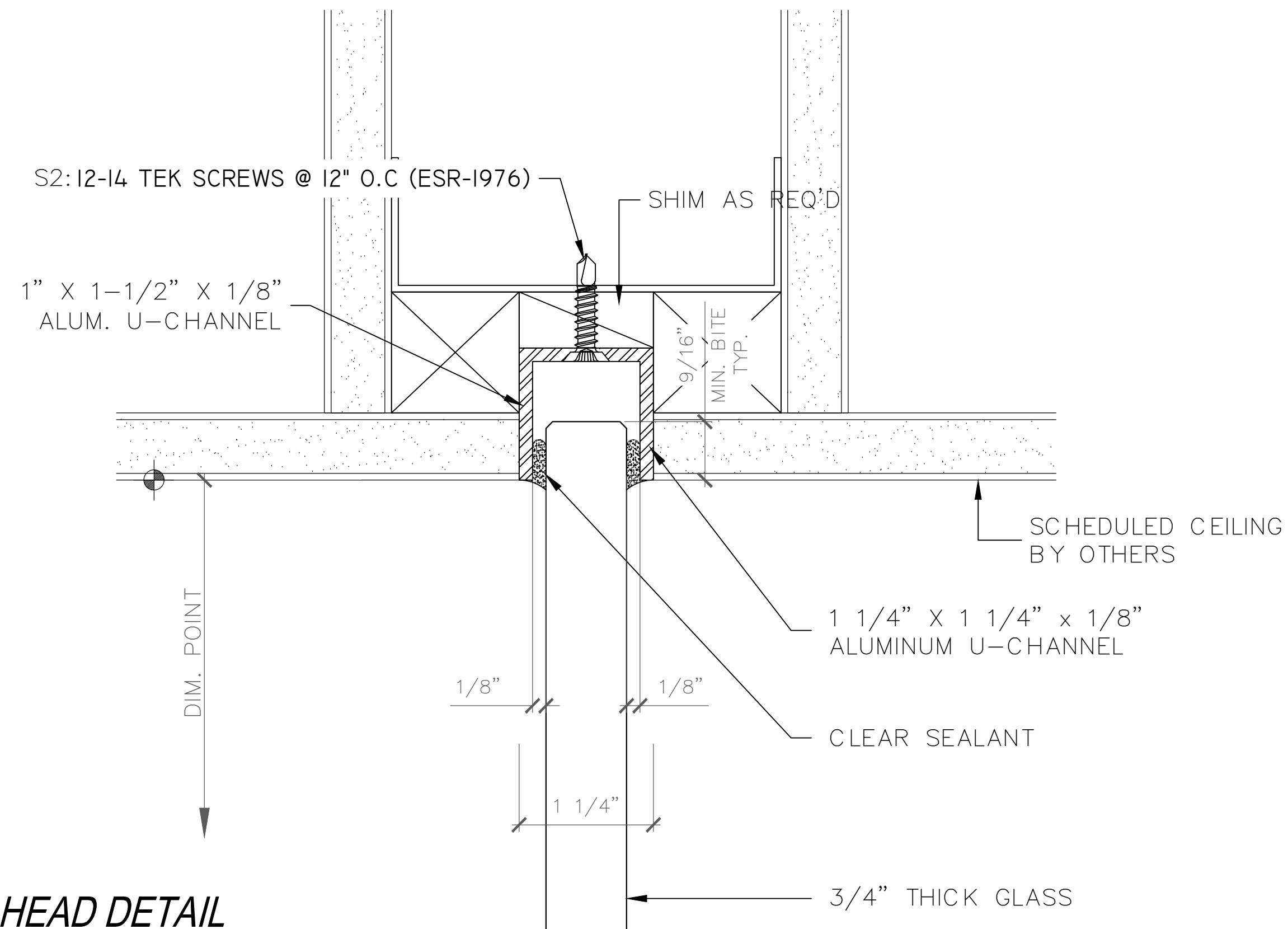
PROJECT: I3-074
 DRAWING TITLE:

DETAILS

SCALE: **FULL**

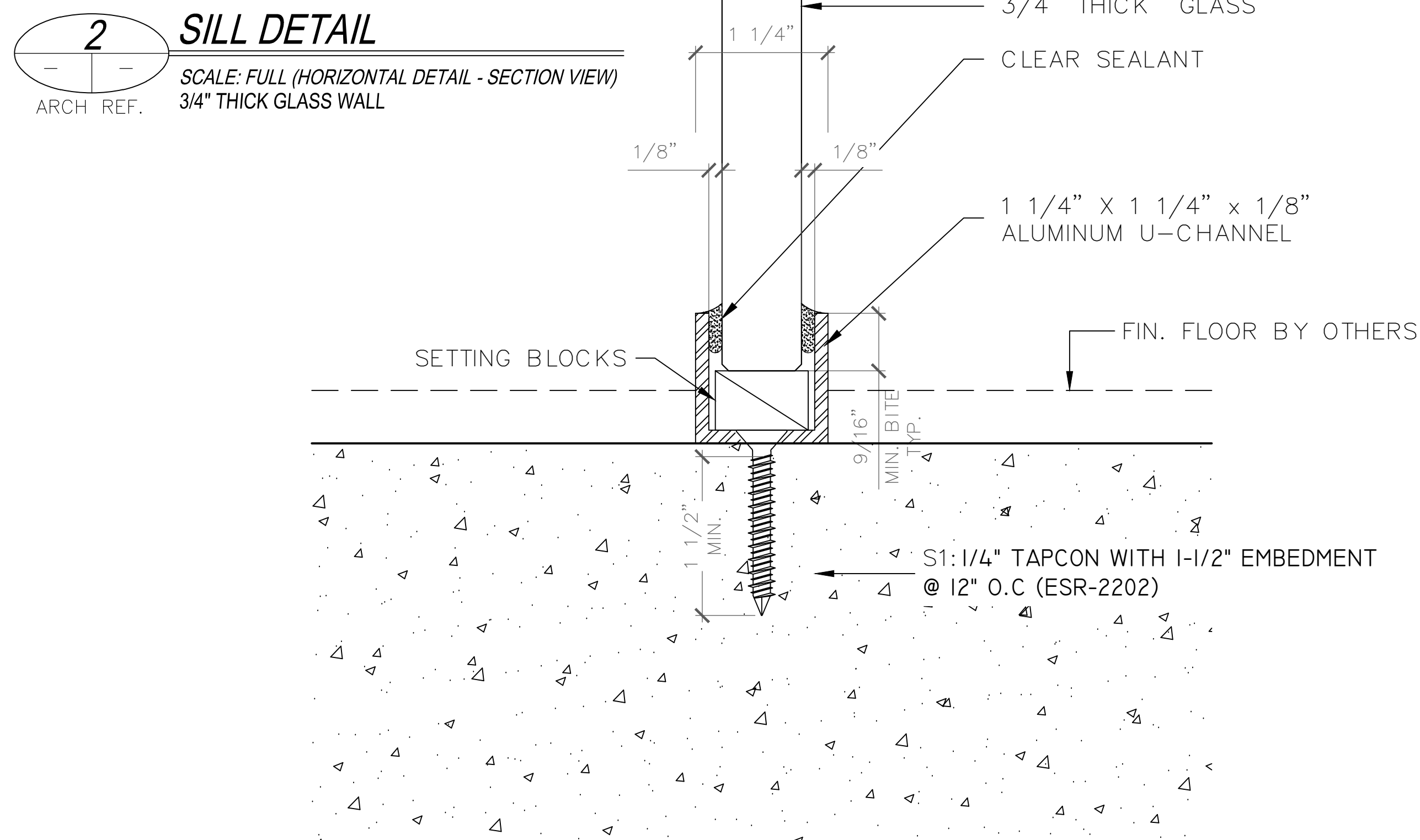
PLOT DATE: **2013.05.20**

SHEET NO: **D.2**



1 HEAD DETAIL
 SCALE: FULL (HORIZONTAL DETAIL - SECTION VIEW)
 ARCH REF. 3/4" THICK GLASS WALL

SAMPLE DRAWINGS



2 SILL DETAIL
 SCALE: FULL (HORIZONTAL DETAIL - SECTION VIEW)
 ARCH REF. 3/4" THICK GLASS WALL

ARCHITECT:

GENERAL CONTRACTOR:

PROJECT:

**CBRE
 25th & 26th
 FLOOR T.I**

400 S. HOPE ST
 LOS ANGELES, CA 90071

DEFERRED
 SUBMITTALS

REVISIONS/SUBMISSIONS:

NO.	DESCRIPTION	DATE
1	ARCHITECT RVM/CORRECTIONS	08-07-13
2	REV'D GLAZING CHANNEL	07-24-13

DRAWN BY: (og) ozzie@psds.us

**PROFESSIONAL
 SHOPDRAWINGS**
 For the Commercial Glazing Industry
 125 E Tahquitz Canyon Way
 Suite 203-M
 Palm Springs, CA 92262
 (951) 377-4114

PROJECT: 13-074

DRAWING TITLE:

DETAILS

SCALE:

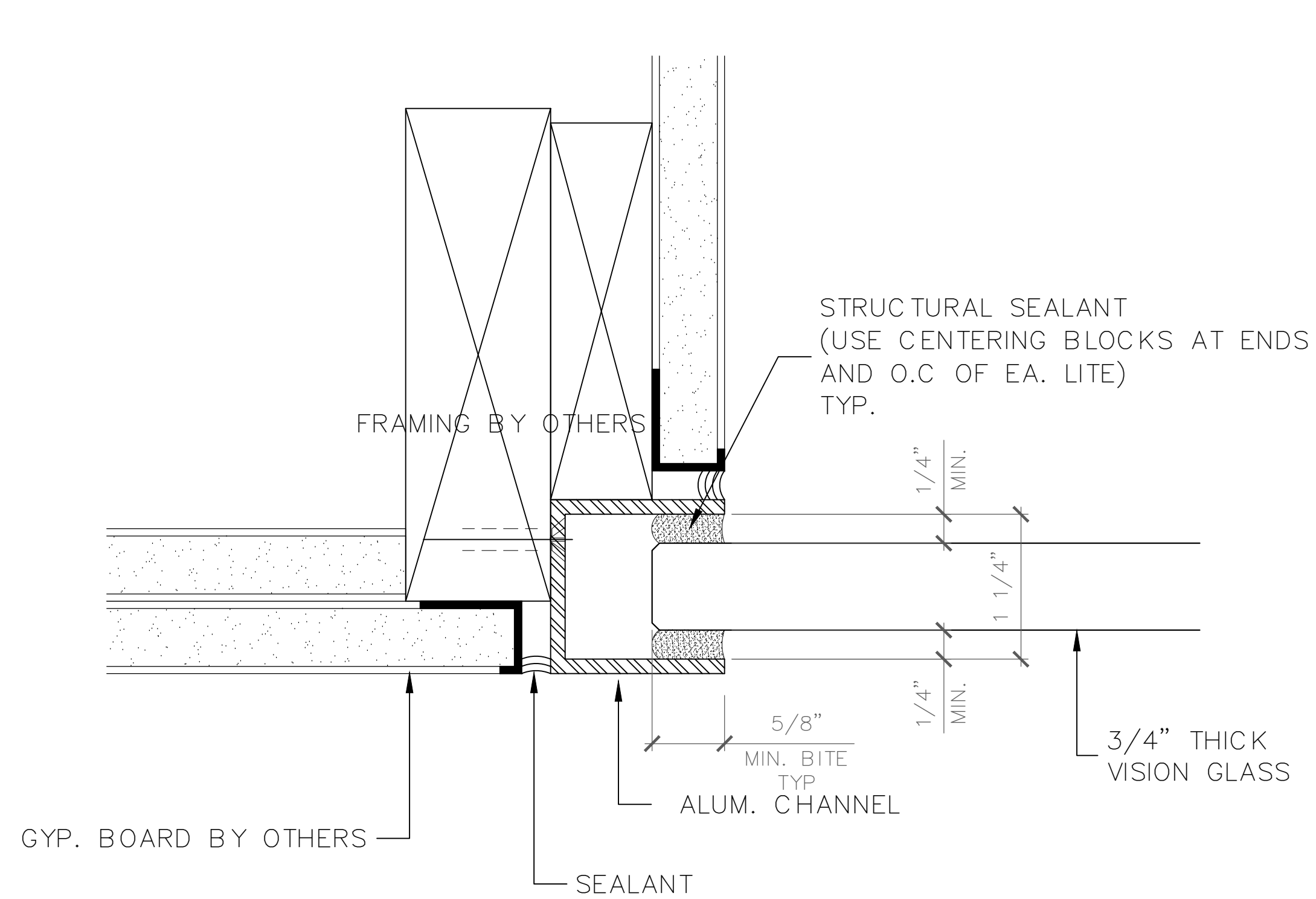
FULL

PLOT DATE:

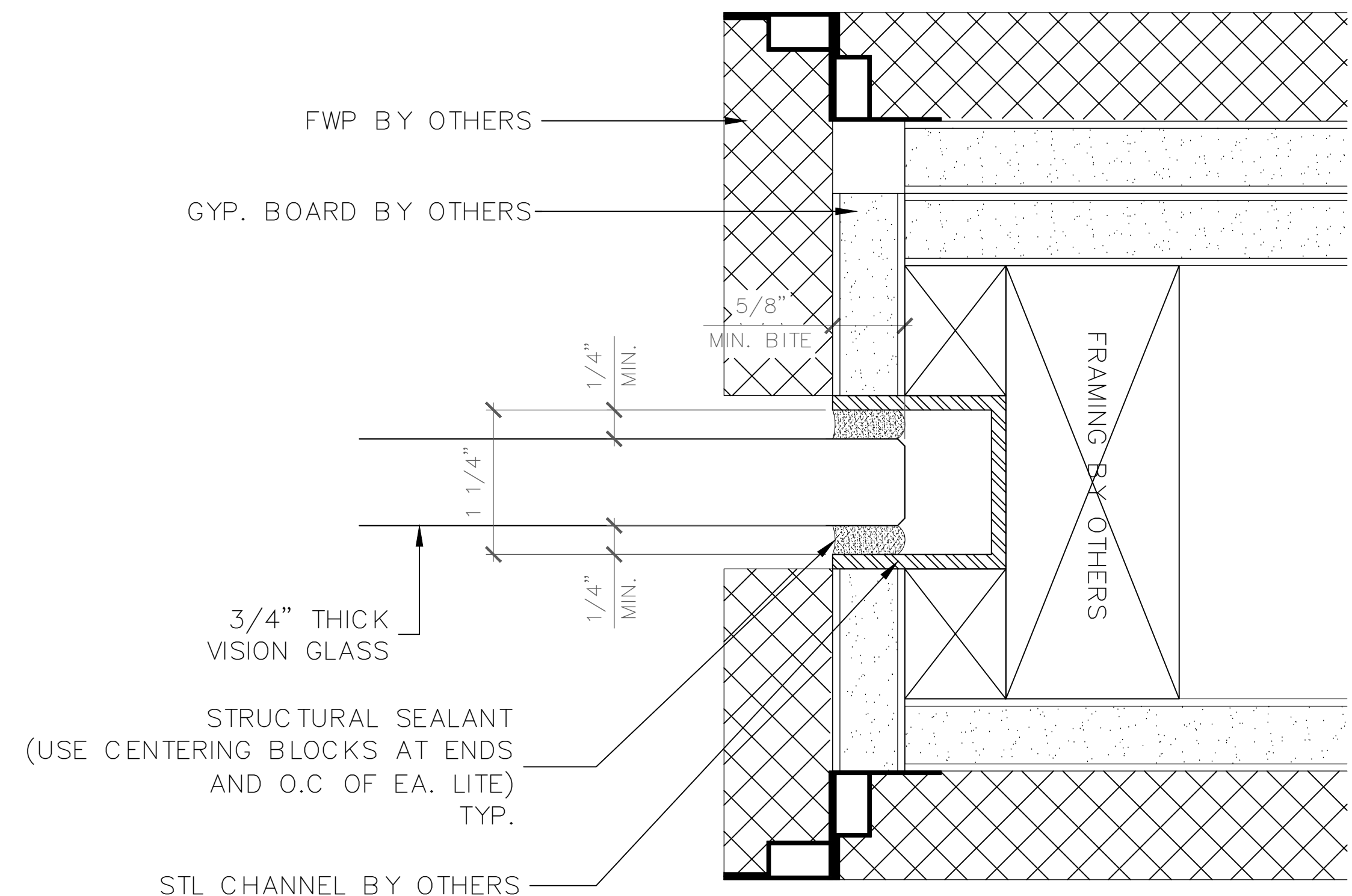
2013.05.20

SHEET NO:

D.3

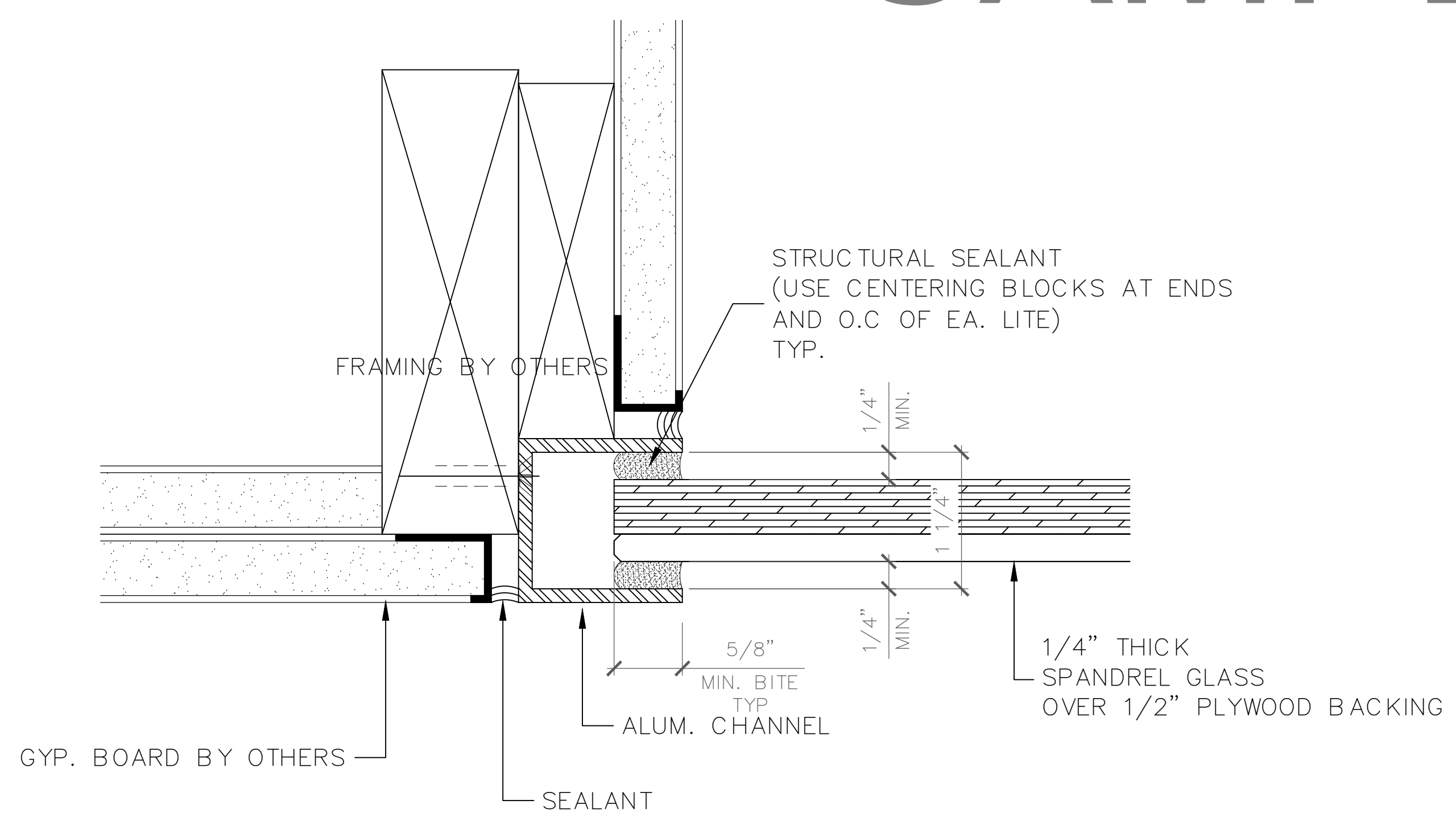


1 WALL JAMB DETAIL
 ARCH REF. 7 A08.13 SCALE: FULL (VERTICAL DETAIL - PLAN VIEW)
 3/4" THICK GLASS WALL

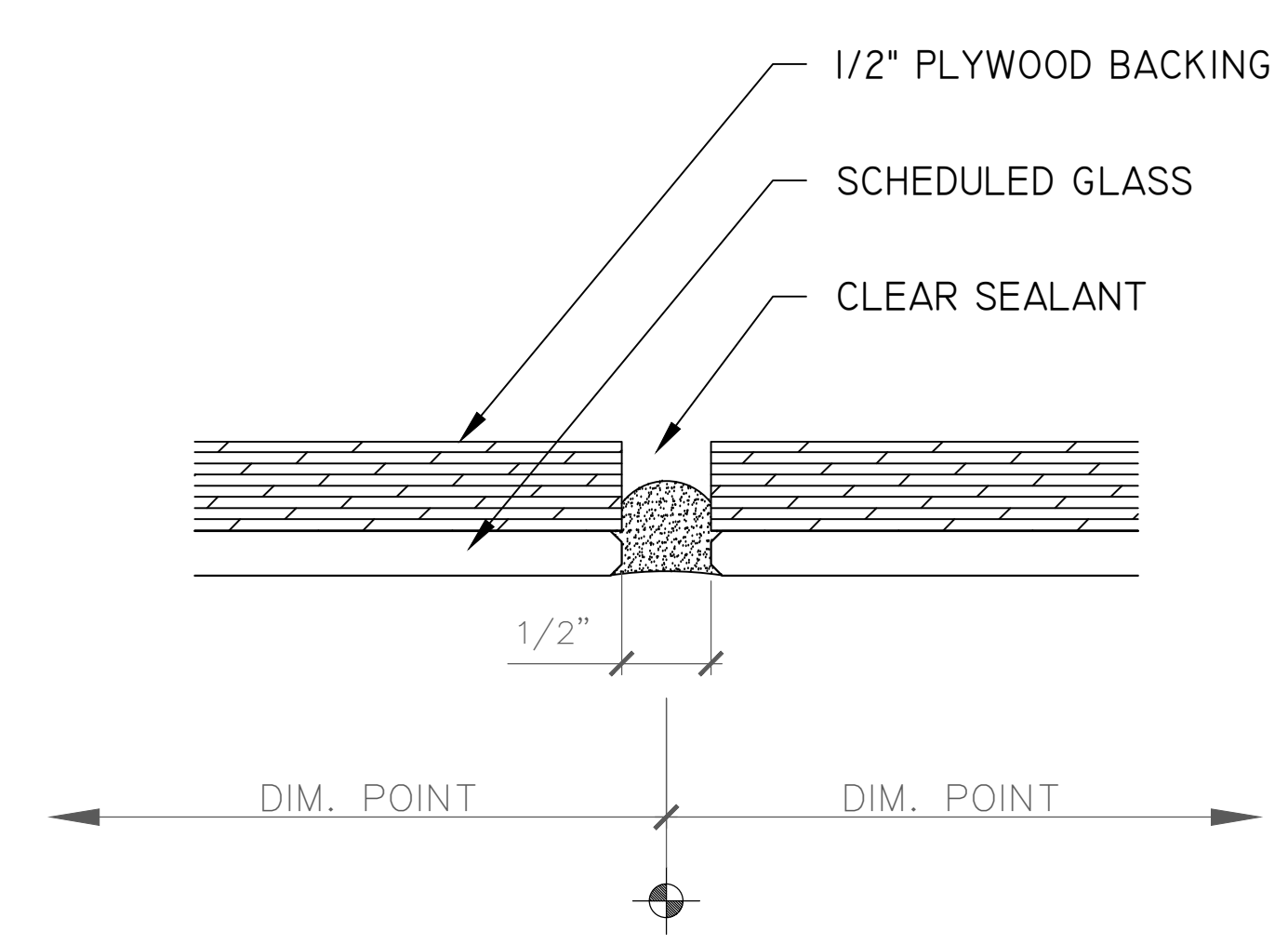


2 WALL JAMB DETAIL
 ARCH REF. 6 A08.13 SCALE: FULL (VERTICAL DETAIL - PLAN VIEW)
 3/4" THICK GLASS WALL

SAMPLE DRAWINGS



3 WALL JAMB DETAIL
 ARCH REF. 7 A08.13 SCALE: FULL (VERTICAL DETAIL - PLAN VIEW)
 1/4" THICK SPANDREL GLASS



4 BUTT JOINT DETAIL
 ARCH REF. 7 A08.13 SCALE: FULL (VERTICAL DETAIL - PLAN VIEW)
 1/4" THICK SPANDREL GLASS

ARCHITECT:

GENERAL CONTRACTOR:

PROJECT:

CBRE
25th & 26th
FLOOR T.I
 400 S. HOPE ST
 LOS ANGELES, CA 90071

DEFERRED
 SUBMITTALS

REVISIONS/SUBMISSIONS:

NO.	DESCRIPTION	DATE
1	ARCHITECT R/W/CORRECTIONS	08-07-13
2	REV'D GLAZING CHANNEL	07-24-13

DRAWN BY: (og) ozzie@psds.us

PROFESSIONAL SHOPDRAWINGS
 For the Commercial Glazing Industry
 125 E Tahquitz Canyon Way
 Suite 203-M
 Palm Springs, CA 92262
 (951) 377-4114

PROJECT: 13-074
 DRAWING TITLE:

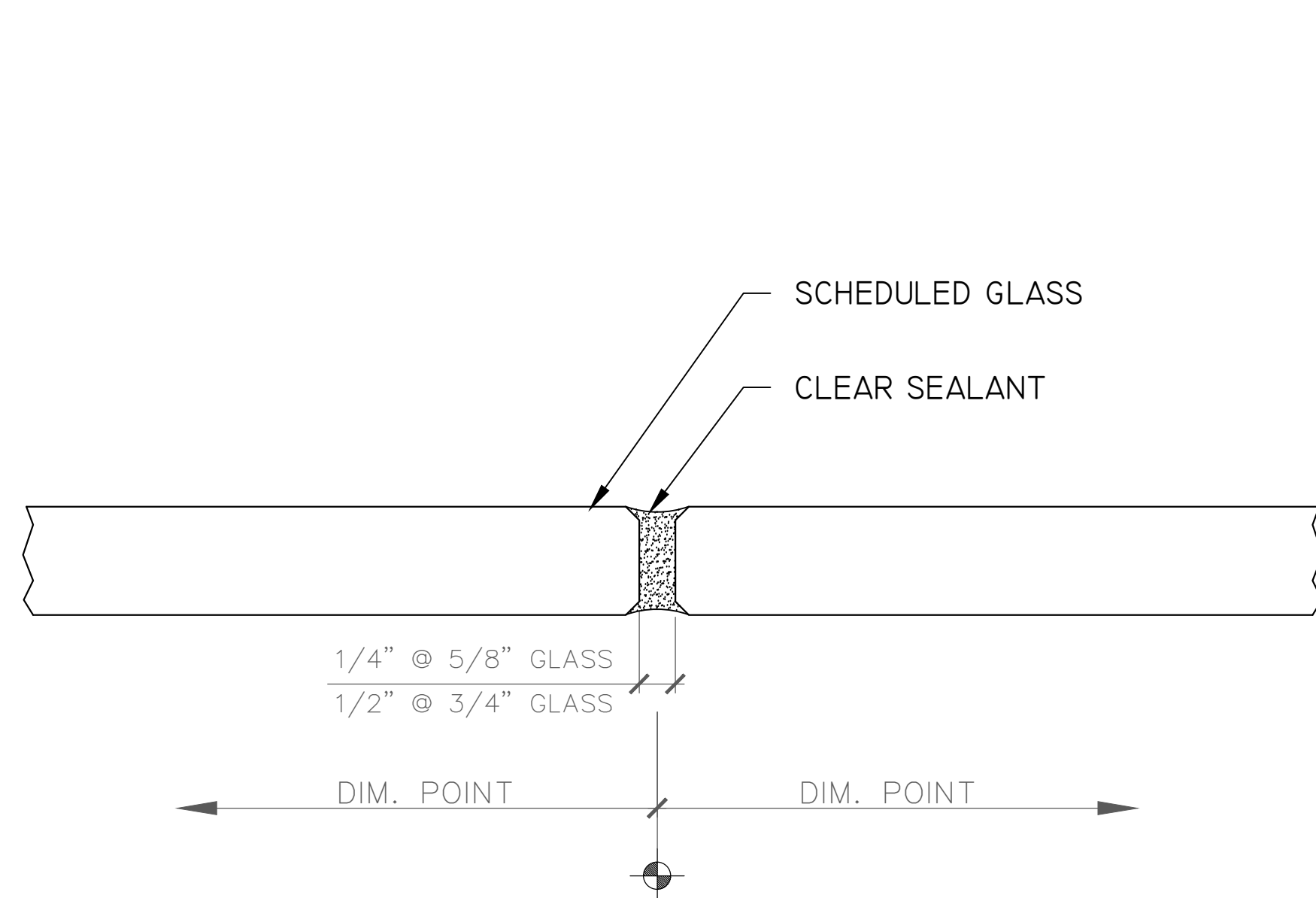
DETAILS

SCALE: FULL

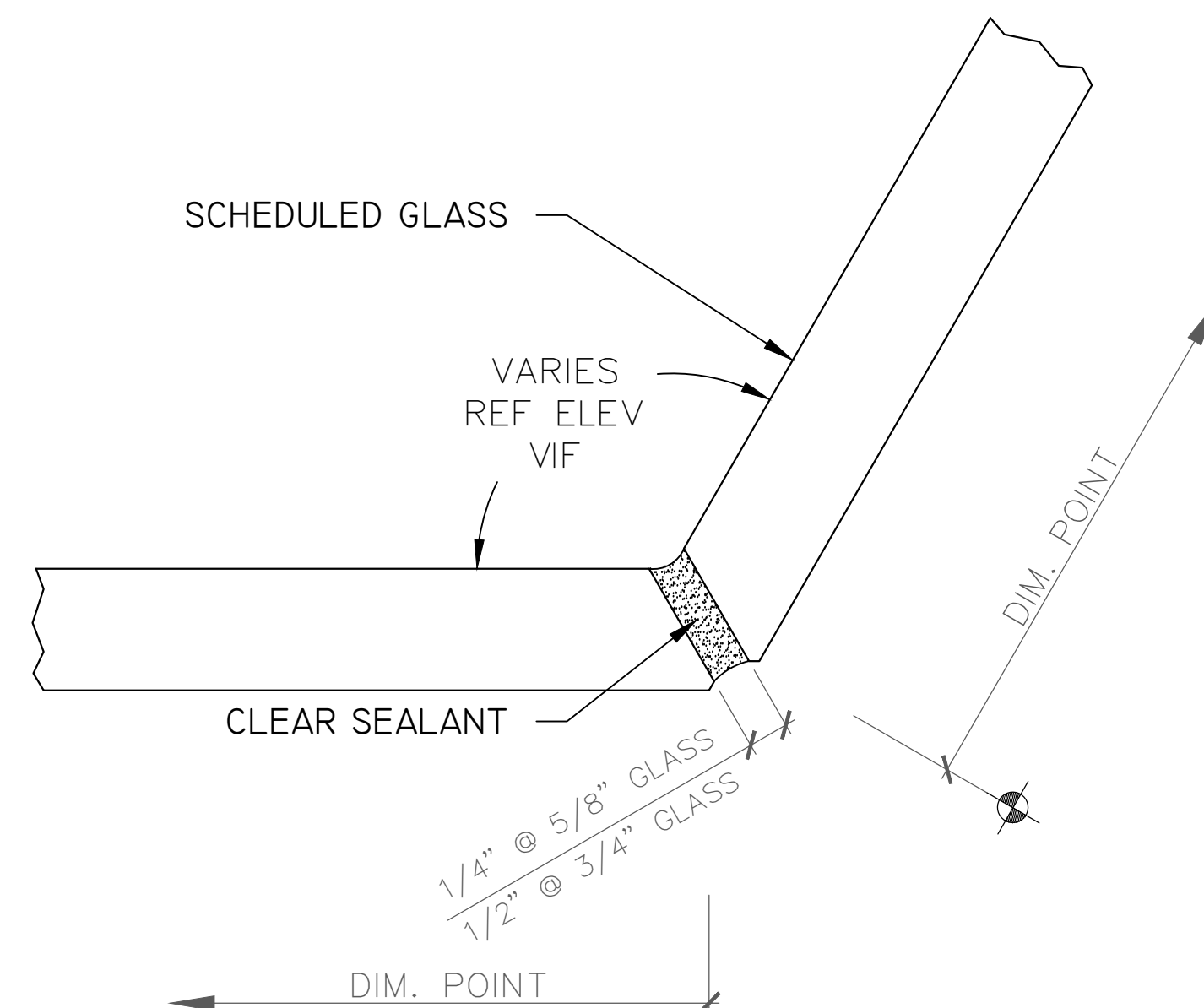
PLOT DATE:
 2013.05.20

SHEET NO:

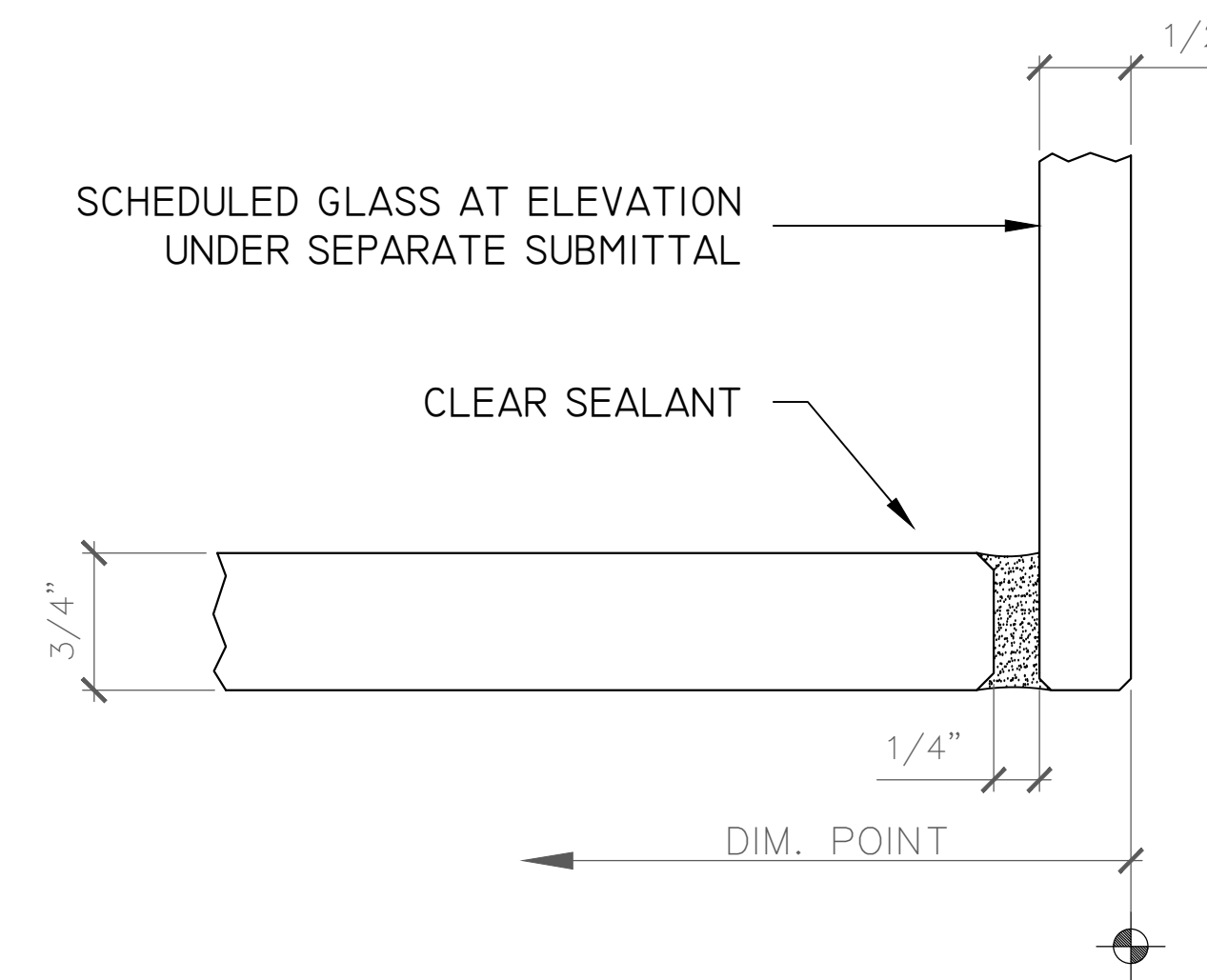
D.4



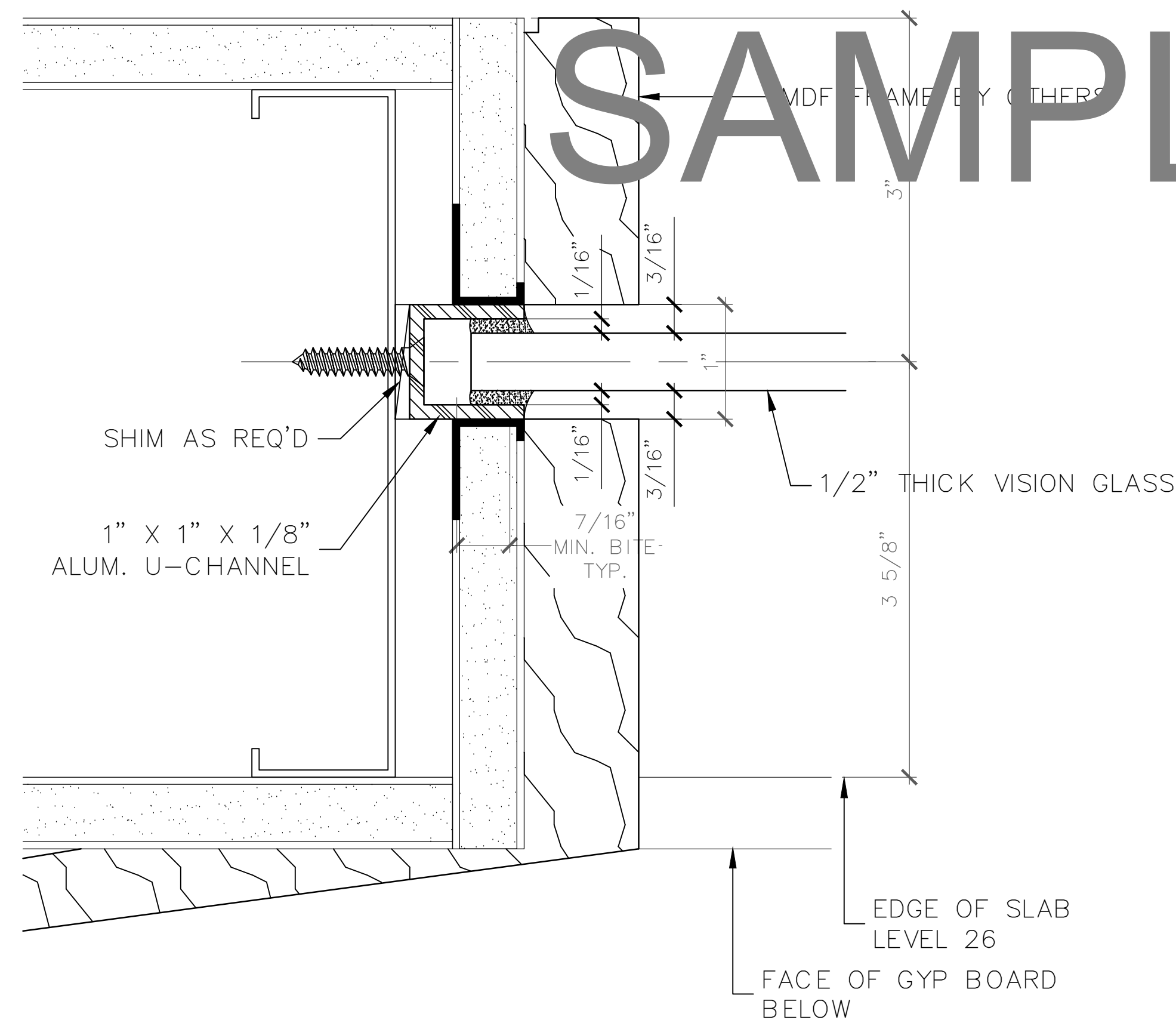
1 BUTT JOINT DETAIL
 SCALE: FULL (VERTICAL DETAIL - PLAN VIEW)
 5/8" OR 3/4" THICK GLASS WALL
 ARCH. REF.



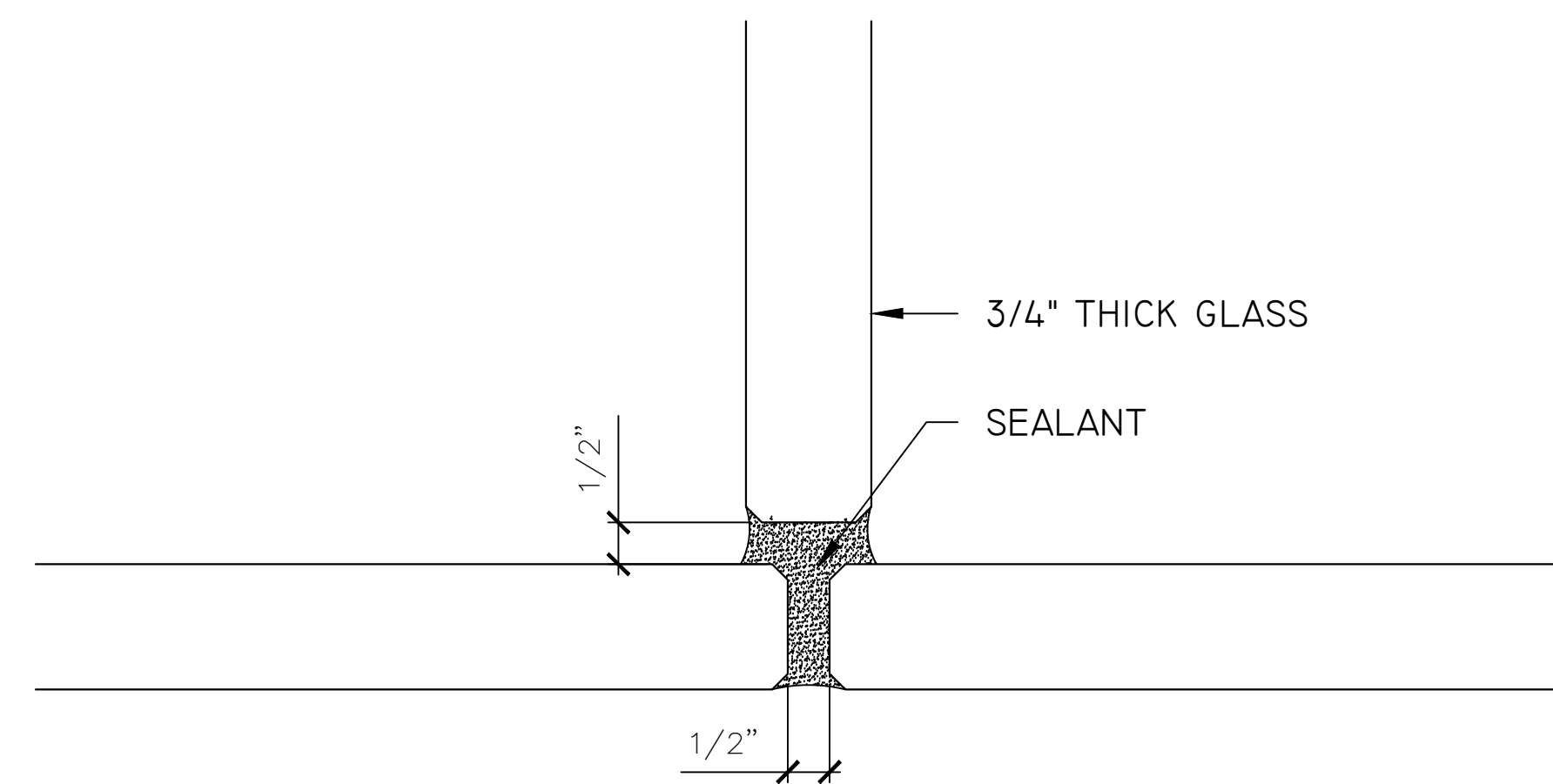
2 CORNER BUTT JOINT DETAIL
 SCALE: FULL (VERTICAL DETAIL - PLAN VIEW)
 5/8" OR 3/4" THICK GLASS WALL
 ARCH. REF.



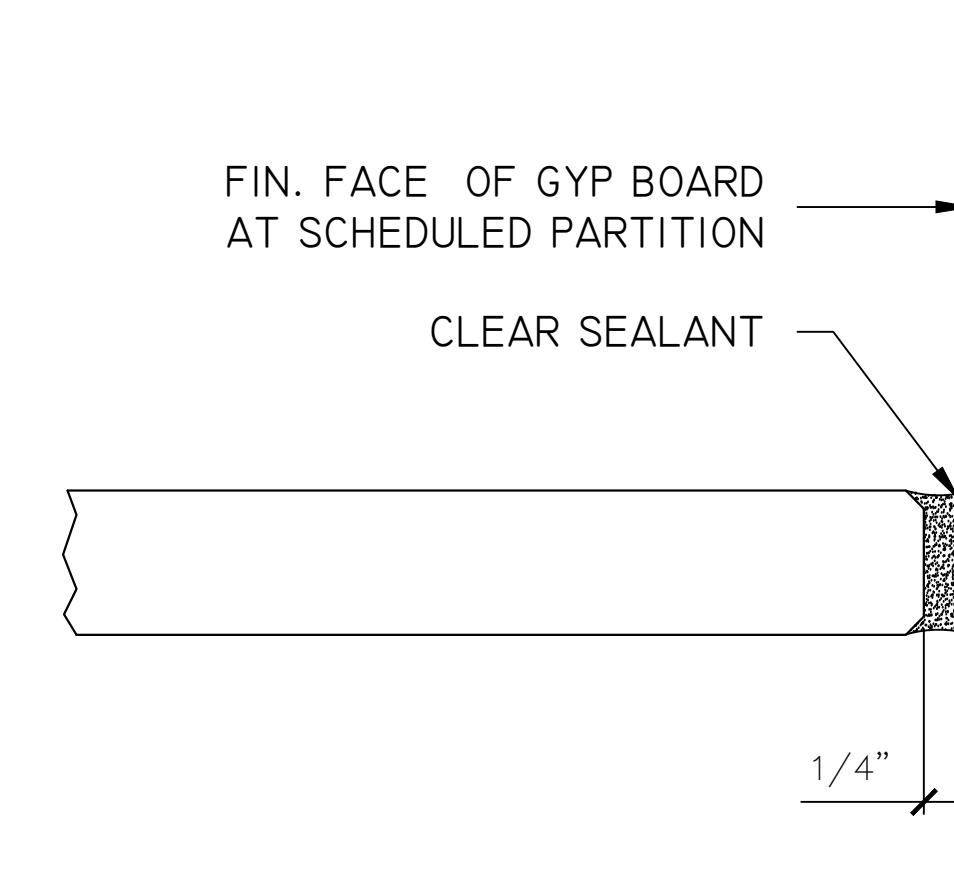
2A CORNER BUTT JOINT DETAIL
 SCALE: FULL (VERTICAL DETAIL - PLAN VIEW)
 5/8" & 3/4" THICK GLASS WALL
 ARCH. REF.



3 WALL JAMB DETAIL
 SCALE: FULL (VERTICAL DETAIL - PLAN VIEW)
 5/8" THICK GLASS WALL
 ARCH. REF.



4 'T' INTERSECTION BUTT JOINT DETAIL
 SCALE: FULL (VERTICAL DETAIL - PLAN VIEW)
 3/4" THICK GLASS WALL
 ARCH. REF.



5 WALL JAMB DETAIL
 SCALE: FULL (VERTICAL DETAIL - PLAN VIEW)
 5/8" THICK GLASS WALL
 ARCH. REF.

SAMPLE DRAWINGS

ARCHITECT:

GENERAL CONTRACTOR:

PROJECT:

**CBRE
 25th & 26th
 FLOOR T.I**

400 S. HOPE ST
 LOS ANGELES, CA 90071

DEFERRED
 SUBMITTALS

REVISIONS/SUBMISSIONS:

NO.	DESCRIPTION	DATE
1	ARCHITECT RVM/CORRECTIONS	08-07-13
2	REV'D GLAZING CHANNEL	07-24-13

DRAWN BY: (og) ozzie@psds.us

**PROFESSIONAL
 SHOPDRAWINGS**
 For the Commercial Glazing Industry
 125 E Tahquitz Canyon Way
 Suite 203-M
 Palm Springs, CA 92262
 (951) 377-4114

PROJECT: I3-074

DRAWING TITLE:

DETAILS

SCALE:

FULL

PLOT DATE:

2013.05.20

SHEET NO:

D.5